

کد کنترل

250

A



250A



جمهوری اسلامی ایران  
وزارت علوم، تحقیقات و فناوری  
سازمان سنجش آموزش کشور

عصر جمعه  
۱۴۰۲/۱۲/۰۴

«در زمینه مسائل علمی، باید دنبال قله بود.»  
مقام معظم رهبری

## آزمون ورودی دوره‌های کارشناسی ارشد ناپیوسته داخل - سال ۱۴۰۳

مهندسی ایمنی، بهداشت و محیط زیست (HSE)  
(کد ۱۲۹۳ - شناور)

مدت زمان پاسخگویی: ۱۸۵ دقیقه

تعداد سؤال: ۱۲۰

عنوان مواد امتحانی، تعداد و شماره سؤال‌ها

ردیف	مواد امتحانی	تعداد سؤال	از شماره	تا شماره
۱	زبان عمومی و تخصصی (انگلیسی)	۲۵	۱	۲۵
۲	ریاضی ۱	۱۵	۲۶	۴۰
۳	آمار و احتمالات مهندسی	۱۵	۴۱	۵۵
۴	استاتیک	۲۰	۵۶	۷۵
۵	مهندسی آب و فاضلاب	۲۵	۷۶	۱۰۰
۶	مهندسی محیط زیست	۲۰	۱۰۱	۱۲۰

این آزمون، نمره منفی دارد.

استفاده از ماشین حساب مجاز نیست.

حق جاب، تکثیر و انتشار سؤالات به هر روش (الکترونیکی و ...) پس از برگزاری آزمون، برای نمایی اشخاص حقیقی و حقوقی تنها با مجوز این سازمان مجاز می‌باشد و با متخلفین برابر مقررات رفتار می‌شود.

\* داوطلب گرامی، عدم درج مشخصات و امضا در مندرجات جدول زیر، به منزله عدم حضور شما در جلسه آزمون است.

اینجانب ..... با شماره داوطلبی ..... با آگاهی کامل، یکسان بودن شماره صندلی خود با شماره داوطلبی مندرج در بالای کارت ورود به جلسه، بالای پاسخنامه و دفترچه سؤال‌ها، نوع و کد کنترل درج شده بر روی دفترچه سؤال‌ها و پایین پاسخنامه‌ام را تأیید می‌نمایم.

امضا:

زبان عمومی و تخصصی (انگلیسی):

## PART A: Vocabulary

**Directions:** Choose the word or phrase (1), (2), (3), or (4) that best completes each sentence. Then mark the answer on your answer sheet.

- 1- If you want to excel at what you love and take your skills to the next level, you need to make a ..... to both yourself and your craft.  
1) commitment      2) passion      3) statement      4) venture
- 2- It is usually difficult to ..... clearly between fact and fiction in her books.  
1) gloat      2) rely      3) raise      4) distinguish
- 3- Some people seem to lack a moral ....., but those who have one are capable of making the right choice when confronted with difficult decisions.  
1) aspect      2) compass      3) dilemma      4) sensation
- 4- The factual error may be insignificant; but it is surprising in a book put out by a/an ..... academic publisher.  
1) complacent      2) incipient      3) prestigious      4) notorious
- 5- In a society conditioned for instant ....., most people want quick results.  
1) marrow      2) gratification      3) spontaneity      4) consternation
- 6- One medically-qualified official was ..... that a product could be so beneficial and yet not have its medical benefit matched by commensurate commercial opportunity.  
1) incredulous      2) quintessential      3) appeased      4) exhilarated
- 7- Some aspects of zoological gardens always ..... me, because animals are put there expressly for the entertainment of the public.  
1) deliberate      2) surmise      3) patronize      4) appall

## PART B: Cloze Test

**Directions:** Read the following passage and decide which choice (1), (2), (3), or (4) best fits each space. Then mark the correct choice on your answer sheet.

Online learning has been around for years, but it really took off during the COVID-19 pandemic. Many schools and universities ..... (8) transition to online learning, and this trend is likely to continue in the future. There are many

benefits to online learning, ..... (9) accessibility and flexibility. Students can learn at their own pace, and from anywhere in the world. Online learning ..... (10) affordable than traditional in-person learning, making education more accessible to a wider range of students.

- |     |                        |                            |
|-----|------------------------|----------------------------|
| 8-  | 1) forced to           | 2) have forced             |
|     | 3) were forced to      | 4) forcing                 |
| 9-  | 1) including increased | 2) they include increasing |
|     | 3) and increase        | 4) they are increased      |
| 10- | 1) is also more        | 2) also to be more         |
|     | 3) which is also more  | 4) is also so              |

### PART C: Reading Comprehension

**Directions:** Read the following three passages and answer the questions by choosing the best choice (1), (2), (3), or (4). Then mark the correct choice on your answer sheet.

#### PASSAGE 1:

In toxicology, synergism refers to the effect caused when exposure to two or more chemicals at one time results in health effects that are greater than the sum of the effects of the individual chemicals. In addition to synergism, other terms such as additive effect, potentiation, and antagonism are used to define toxicologic interactions. While the mechanisms of synergism can change from situation to situation, most of the time there appears to be an effect on the enzymes that regulate or influence the way our bodies work. Our bodies have enzymes that are designed to do specific jobs. For example, there is an enzyme that helps break down alcohol - this is why we do not stay intoxicated forever after consuming alcohol. These enzymes normally transform the foreign substances into less toxic or non-toxic substances which are eliminated out of the body. With synergism, an enzyme function could either be inhibited or accelerated in some way. Either way, the result is that the chemicals are either free or enhanced to cause a greater biologic effect in the body.

There are various examples of synergism including: (a) Carbon tetrachloride and ethanol are individually toxic to the liver, but together they produce much more liver injury than the sum of their individual effects on the liver. (b) The much higher incidence of lung cancer resulting from occupational exposure to asbestos in smokers. (c) The toxicity of some insecticides notably pyrethrin (from chrysanthemums) and synthetic pyrethrins (pyrethroids) can be increased many times by the addition of compounds which themselves are not insecticides. These synergists are sesamin, sesamol, piperonyl butoxide, MGK-264 (bicycloheptenedicarboximide) and sesamex. Piperonyl butoxide is perhaps the most widely used synthetic pyrethrin synergist. The insecticide activity of pyrethrins increases tenfold when 1 part piperonyl butoxide is mixed with 9 parts pyrethrin. There are no reports available on toxic effects on humans resulting from the exposure to piperonyl butoxide. (d) Barbiturate drugs have a greater effect on the central nervous system (CNS) by causing CNS depression when taken with general anesthetics, alcohol (acute consumption) narcotic analgesic and other sedative hypnotic drugs.

- 11- The word “transform” in line 10 is closest in meaning to .....
- 1) transfix
  - 2) alternate
  - 3) metabolize
  - 4) replace
- 12- It can be inferred from paragraph 1 that .....
- 1) with synergism, enzymes may function abnormally
  - 2) enzymes cause more severe biological effects in the body
  - 3) alcohol is a non-toxic substance
  - 4) synergism is responsible for regulating functions of the body
- 13- The word “inhibited” in line 12 could best replace by.....
- 1) restricted
  - 2) removed
  - 3) eliminated
  - 4) reduced
- 14- It is stated in the passage that smokers .....
- 1) are more exposed to occupational contaminants
  - 2) may experience synergistic effects in workplace
  - 3) are more susceptible to asbestosis
  - 4) suffer from lung cancer due to smoking compared to non-smokers
- 15- According to the passage, piperonyl butoxide .....
- 1) is a kind of toxic insecticide
  - 2) is the most widely used synthetic pyrethroid
  - 3) has a synergistic effect when added to pyrethrins
  - 4) can increase the toxicity of sesamin when added as a synergist

### PASSAGE 2:

Welding arcs give off radiation over a broad range of wavelengths - from 200 nm to 1,400 nm. These ranges include ultraviolet (UV) radiation (200 to 400 nm), visible light (400 to 700 nm), and infrared (IR) radiation (700 to 1,400 nm). UV-radiation is divided into three ranges - UV-A (315 to 400 nm), UV-B (280 to 315 nm) and UV-C (100 to 280 nm). UV-C and almost all UV-B are absorbed in the cornea of the eye. UV-A passes through cornea and is absorbed in the lens of the eye. Some UV radiation, visible light, and IR radiation can reach the retina.

Certain types of UV radiation can produce an injury to the surface and mucous membrane (conjunctiva) of the eye called arc eye, welders' eye or arc flash. These names are common names for “conjunctivitis” - an inflammation of the mucous membrane of the front of the eye. The symptoms include: pain - ranging from a mild feeling of pressure in the eyes to intense pain in severe instances, tearing and reddening of the eye and membranes around the eye (bloodshot), sensation of “sand in the eye”, abnormal sensitivity to light, inability to look at light sources (photophobia). The amount of time required to cause these effects depends on several factors such as the intensity of the radiation, the distance from the welding arc, the angle at which the radiation enters the eye, and type of eye protection that the welder or bystander is using. However, exposure to just a few seconds of intense UV light can cause arc eye. These symptoms may not be felt until several hours after exposure.

Long-term exposure to UV light can produce cataracts in some persons. Exposure to infrared light can heat the lens of the eye and produce cataracts over the long term. Visible light from welding processes is very bright and can overwhelm the ability of the iris of the eye to close sufficiently and rapidly enough to limit the brightness of the light reaching the retina. The result is that the light is temporarily blinding and fatiguing to the eye.

- 16- It can be inferred from paragraph 1 that .....
- 1) UV-B are not absorbed in the cornea of the eye
  - 2) welders are exposed to a broad range of visible light
  - 3) some UV radiation, visible light, and IR radiation can reach the surface of the eye
  - 4) the longer the wavelength, the deeper into eye the radiation can penetrate
- 17- The word “give off” in paragraph 1 is closest in meaning to .....
- 1) emit
  - 2) leave
  - 3) intensify
  - 4) contain
- 18- According to the passage .....
- 1) tearing and reddening of the eye is caused by conjunctiva
  - 2) conjunctiva is a common name for photophobia in welders
  - 3) arc eye is an inflammation of the mucous membrane of the retina
  - 4) bloodshot eye is an indication for arc flash
- 19- In paragraph 2, “bystander” is most likely.....
- 1) co-worker
  - 2) manager
  - 3) observer
  - 4) partner
- 20- It can be inferred from paragraph 3 that the iris .....
- 1) of the welder's eyes will fail in a short time
  - 2) regulates the amount of light going through the pupil to the retina
  - 3) does not lose its ability in prolonged exposure to visible light
  - 4) is very sensitive to radiation and when it fails, blindness becomes possible

### **PASSAGE 3:**

Inflammation of the bursa is known as bursitis. A bursa is a small sac containing fluid that lies between bones and other body parts such as tendons and muscles. A bursa allows a tendon to move smoothly over a bone by acting as an anti-friction device and shielding tendons and muscles from rubbing against bones. Bursae are found in the foot, knee, hip, elbow, shoulder, buttock, and wrist. The main symptoms of bursitis are pain and swelling in or around the joint. In some cases, people may experience a limited range of movement and stiffness. Common causes of bursitis are repetitive motions, overuse, injury, or infection. Bursitis is also associated with medical conditions such as arthritis, gout, tendonitis, diabetes, and thyroid disease.

Treatment depends on the cause, but rest is typically a treatment option. It is important to avoid or reduce any work activities suspected of causing bursitis. The treatment of bursitis includes anti-inflammatory and pain medication, and corticosteroid injections. Medications may be prescribed if the bursa is infected. Most patients respond to treatment, and they usually go back to work without any restrictions.

Any occupation that requires repetitive motion or poor posture (prolonged pressure on a bursa) can put workers at risk. Some examples of types of bursitis and occupations at risk include: (a) Elbow (Olecranon) bursitis: occupations that require leaning on or movement of the elbows (e.g., plumbers, heating, ventilation and air conditioning (HVAC) technicians, athletes, musicians). (b) Hip bursitis: occupations that require overuse (bending, heavy lifting) of the lower extremities (e.g., warehouse labourers, cyclists). (c) Knee bursitis: occupations that require kneeling, jumping, or squatting (e.g., carpet and floor layers, gardeners, carpenters, plumbers, wrestlers, runners)

- 21- The paragraph 1 suggests that .....
- 1) bursae are located between bone and surrounding tendons
  - 2) bursitis is just a common work-related musculoskeletal disorders
  - 3) stiffness in the foot, knee, hip, etc. is the main symptom of Bursitis
  - 4) bursitis is an underlying disease with symptoms similar to arthritis, gout, etc
- 22- The word "swelling" in line 6 could best replace by .....
- 1) soreness
  - 2) irritation
  - 3) itching
  - 4) edema
- 23- It can be inferred from paragraph 2 that .....
- 1) anti-inflammatory and analgesic may be prescribed as medications.
  - 2) when bursa becomes infected, the best treatment is rest.
  - 3) corticosteroid injections are used when treatment fails.
  - 4) bursitis is not completely curable.
- 24- It is stated in the passage that .....
- 1) heavy lifting is the main cause of hip bursitis in wrestlers
  - 2) warehouse is a high-risk occupation due to exposure to hip bursitis
  - 3) both the upper and lowers limbs of athletes and plumber are susceptible to bursitis
  - 4) hand strain in athletes and HVAC technicians makes them suffer from olecranon bursitis
- 25- According to the passage, what type of bursitis is the artists likely to suffer from?
- 1) Hip
  - 2) Elbow
  - 3) Knee
  - 4) Neck

ریاضی ۱:

۲۶- هرگاه  $f(x) = (x^2 + 1) \sin 3x$  باشد، مقدار  $f^{(5)}(0)$  کدام است؟

(۱)  $-297$

(۲)  $-\frac{99}{40}$

(۳)  $\frac{99}{40}$

(۴)  $297$

۲۷- اگر  $f(x) = \int_0^{g(x)} \frac{dt}{\sqrt{1+t^2}}$  و  $g(x) = \int_0^{\cos x} (1 + \sin t^2) dt$  باشند، در آن صورت  $f'(\frac{\pi}{4})$  کدام است؟

(۱)  $1$

(۲)  $\frac{1}{2}$

(۳)  $-\frac{1}{2}$

(۴)  $-1$

۲۸- اگر  $s = \int_0^{t^2} \frac{dx}{\sqrt{x+x^2}}$  و  $t > 0$ ، آنگاه حاصل  $\frac{d^2t}{ds^2}$  در  $t = 2$  کدام است؟

(۱)  $\frac{2}{\sqrt{5}}$

(۲) ۲

(۳)  $\frac{9}{\sqrt{5}}$

(۴) ۱۸

۲۹- اگر توابع  $h(x)$  و  $u(x)$  بر  $\mathbb{R}$  پیوسته و مشتق‌پذیر باشند، با فرض  $u(0) = 0$  و  $u'(0) = 2$ ،

مشتق تابع  $f(x) = h(e^{\alpha \sin u(x)})$  و  $\alpha \neq 0$  در نقطه  $x = 0$  کدام است؟

(۱)  $\alpha h'(1)$

(۲)  $\alpha h'(e)$

(۳)  $2\alpha h'(1)$

(۴)  $2\alpha h'(e)$

۳۰- حاصل  $\lim_{n \rightarrow \infty} \sum_{k=1}^n \frac{\pi}{n} \sin \frac{k\pi}{n}$ ، کدام است؟

(۱) ۱

(۲) ۲

(۳)  $\pi$

(۴)  $2\pi$

۳۱- مساحت محدود به سهمی  $y = x^2 - 2x + 2$  و خط مماس بر آن در نقطه  $(3, 5)$  و محور  $y$ ها، کدام است؟

(۱) ۸

(۲)  $\frac{25}{3}$

(۳)  $\frac{26}{3}$

(۴) ۹

۳۲- حاصل انتگرال  $\int_0^{\frac{\pi}{4}} \frac{\cos^2 x}{1 + \sin x} dx$ ، کدام است؟

(۱)  $\frac{1}{4}(1 - 2\sqrt{2})$

(۲)  $-\frac{3}{8}$

(۳)  $\frac{3}{8}$

(۴)  $\frac{1}{4}(2\sqrt{2} - 1)$

۳۳- اگر  $I_n = \int_1^e x(\ln x)^n dx$ ، آنگاه کدام مورد درست است؟

(۱)  $\frac{1}{2}e^2 + \frac{n}{2}I_{n-1}$

(۲)  $\frac{1}{2}e^2 - \frac{n}{2}I_{n-2}$

(۳)  $\frac{1}{2}e^2 - \frac{n}{2}I_{n-1}$

(۴)  $\frac{1}{2}e^2 + \frac{n}{2}I_{n-2}$

۳۴- مقدار  $\int_{-1}^1 e^{-x^2} d(x|x|)$  کدام است؟

(۱)  $2 - \frac{2}{e}$

(۲)  $1 - \frac{2}{e}$

(۳)  $\frac{2}{e} - 1$

(۴)  $\frac{2}{e} - 2$

۳۵- حاصل  $\int_0^{\infty} e^{-z^2} dz$  بر حسب تابع  $\Gamma$  کدام است؟

(۱)  $\frac{1}{3}\Gamma(\frac{1}{3})$

(۲)  $\Gamma(\frac{4}{3})$

(۳)  $\frac{1}{3}\Gamma(\frac{4}{3})$

(۴)  $\Gamma(\frac{4}{3})$  و  $\frac{1}{3}\Gamma(\frac{1}{3})$

۳۶- بازه همگرایی سری  $\sum_{n=1}^{\infty} \frac{n!}{n^n} (x-1)^n$ ، کدام است؟

(۱)  $(-e, e)$

(۲)  $(1-e, 1+e)$

(۳)  $(-\frac{1}{e}, \frac{1}{e})$

(۴)  $(1-\frac{1}{e}, 1+\frac{1}{e})$

$$\left( \Gamma(\alpha) = \int_0^{\infty} t^{\alpha-1} e^{-t} dt \right)$$



۳۷- بسط تیلور تابع  $e^{x^2-2x}$  حول نقطه  $x=1$  کدام است؟

$$\frac{1}{e} \sum_{n=0}^{\infty} \frac{(x-1)^{2n}}{n!} \quad (1)$$

$$e \sum_{n=0}^{\infty} \frac{(x-1)^{2n}}{n!} \quad (2)$$

$$\frac{1}{e} \sum_{n=0}^{\infty} \frac{(x-1)^{2n}}{(2n)!} \quad (3)$$

$$e \sum_{n=0}^{\infty} \frac{(x-1)^{2n}}{(2n)!} \quad (4)$$

۳۸- طول بخشی از منحنی قطبی  $r(\theta) = e^{\frac{\theta}{2}}$  که در بازه  $[0, 4\pi]$  قرار دارد، کدام است؟

$$2\sqrt{\Delta}(e^{2\pi} - 1) \quad (1)$$

$$\sqrt{\Delta}(e^{4\pi} - 1) \quad (2)$$

$$\sqrt{\Delta}(e^{2\pi} - 1) \quad (3)$$

$$2\sqrt{\Delta}(e^{4\pi} - 1) \quad (4)$$

۳۹- حاصل عبارت مختلط  $w = \left(\frac{i - \tan \alpha}{i + \tan \alpha}\right)^n$  کدام است؟

$$w = \frac{1 + i \tan 2n\alpha}{\cos 2n\alpha} \quad (1)$$

$$w = \frac{1 - i \tan 2n\alpha}{\cos 2n\alpha} \quad (2)$$

$$w = \frac{i + \tan 2n\alpha}{\cos 2n\alpha} \quad (3)$$

$$w = \frac{i - \tan 2n\alpha}{\cos 2n\alpha} \quad (4)$$

۴۰- کدام ناحیه از صفحه مختلط در نامعادله  $\operatorname{Re}\left(\frac{z-i}{z+i}\right) < 1$  صدق می‌کند؟

$$\operatorname{Im} z < -1 \quad (1)$$

$$\operatorname{Im} z > -1 \quad (2)$$

$$\operatorname{Re} z > -1 \quad (3)$$

$$\operatorname{Re} z < -1 \quad (4)$$

### آمار و احتمالات مهندسی:

۴۱- فرض کنید در یک مجموعه داده، بزرگ‌ترین عدد ده برابر شود. کدام مورد نادرست است؟

(۲) برد افزایش می‌یابد.

(۱) میانگین افزایش می‌یابد.

(۴) برد میان چارکی افزایش می‌یابد.

(۳) میانه تغییری نمی‌کند.

۴۲- فرض کنید  $A$  و  $B$  پیشامدهایی از فضای نمونه  $S$  باشند. کدام مورد نادرست است؟ ( $\bar{A}$  متمم  $A$  است.)

$$P(A|S) = P(A) \quad (۱)$$

$$P(\bar{A}|B) = 1 - P(A|B) \quad (۲)$$

$$P(A - B) \geq P(A) - P(B) \quad (۳)$$

(۴)  $S$  از پیشامدهای  $A$  و  $B$  مستقل نیست.

۴۳- سه تاس سالم همزمان پرتاب می‌شوند. احتمال اینکه دو تاس با خال‌های همانند و تاس دیگر با خال متفاوت

ظاهر شود، کدام است؟

$$\frac{5}{12} \quad (۱)$$

$$\frac{1}{3} \quad (۲)$$

$$\frac{5}{36} \quad (۳)$$

$$\frac{5}{72} \quad (۴)$$

۴۴- در یک مسئله، جعبه اول شامل ۴ توپ قرمز و ۶ توپ آبی است. جعبه دوم شامل ۱۶ توپ قرمز و تعداد نامعلومی توپ

آبی است. از هر جعبه یک توپ انتخاب شده است که احتمال هم‌رنگ بودن آنها  $0.44$  است. تعداد توپ‌های آبی، در

جعبه دوم کدام است؟

$$۴ \quad (۱)$$

$$۲۰ \quad (۲)$$

$$۲۴ \quad (۳)$$

$$۴۴ \quad (۴)$$

۴۵- فرض کنید  $X_1, X_2$  دو نمونه تصادفی  $N(\theta, 1)$  باشند. اگر  $X_{(1)} = \min(X_1, X_2)$  و

$X_{(2)} = \max(X_1, X_2)$ ، مقدار  $P(X_{(1)} < \theta < X_{(2)})$  کدام است؟

$$\frac{1}{4} \quad (۱)$$

$$\frac{1}{3} \quad (۲)$$

$$\frac{1}{2} \quad (۳)$$

$$\frac{3}{4} \quad (۴)$$

۴۶- تعداد ادعاهای خسارت در هر ماه متغیر تصادفی  $N$  با تابع احتمال زیر است. احتمال اینکه حداقل یک ادعای خسارت

در طول یک ماه داشته باشیم به شرط آنکه در آن ماه حداکثر ۴ ادعای خسارت وجود داشته باشد، کدام است؟

$$P(N = n) = \frac{1}{(n+1)(n+2)} \quad n = 0, 1, 2, \dots$$

$$\frac{1}{3} \quad (۱)$$

$$\frac{2}{5} \quad (۲)$$

$$\frac{3}{5} \quad (۳)$$

$$\frac{5}{6} \quad (۴)$$

۴۷- فرض کنید  $X$  یک متغیر تصادفی پیوسته با تابع چگالی احتمال زیر باشد. امید ریاضی  $X$  کدام است؟

$$f(x) = \begin{cases} \frac{|x|}{10}, & -2 \leq x \leq 4 \\ 0, & \text{در غیر این صورت} \end{cases}$$

$$\frac{1}{5} \quad (۱)$$

$$\frac{3}{5} \quad (۲)$$

$$\frac{28}{15} \quad (۳)$$

$$\frac{12}{5} \quad (۴)$$

۴۸- یک شرکت برق، دو ژنراتور دارد. زمان شکست هر ژنراتور از توزیع نمایی با میانگین ۱۰ پیروی می‌کند. شرکت بلافاصله پس از خرابی ژنراتور اول شروع به استفاده از ژنراتور دوم خواهد کرد. واریانس کل زمان تولید برق توسط ژنراتورها کدام است؟

(۱) ۲۰

(۲) ۵۰

(۳) ۱۰۰

(۴) ۲۰۰

۴۹- فرض کنید  $X_1, X_2, \dots, X_{100}$  نمونه‌های تصادفی هم‌توزیع و مستقل از توزیع برنولی با پارامتر  $p$  باشند.

اگر  $Y = \prod_{i=1}^{100} X_i$  و  $Z = \min(X_1, \dots, X_{100})$  باشد، کدام مورد درست است؟

(۱)  $Y$  و  $Z$  هم‌توزیع هستند.

(۲) میانگین و واریانس  $Y$  و  $Z$  برابر نیست.

(۳) میانگین  $Y$  و  $Z$  یکسان نیست ولی واریانس برابر دارند.

(۴) میانگین  $Y$  و  $Z$  یکسان است ولی واریانس برابر ندارند.

۵۰- فرض کنید دو چهار وجهی که روی وجوه آنها اعداد از ۱ تا ۴ نوشته شده است، با هم پرتاب شده‌اند. اگر  $Y$  بزرگ‌ترین

عدد ظاهر شده بر روی دو چهار وجهی باشد،  $P(Y=3)$  کدام است؟

(۱)  $\frac{2}{16}$

(۲)  $\frac{3}{16}$

(۳)  $\frac{5}{16}$

(۴)  $\frac{1}{16}$

۵۱- نسبت افراد مبتلا به دیابت ۷/۰ اعلام شده است. محقق می‌خواهد با انجام یک تحقیق نسبت واقعی مبتلایان

به دیابت را با کران خطای برآورد ۲/۰ و سطح اطمینان ۹۵ درصد برآورد کند. اگر ۷/۰ را برآورد اولیه  $p$  در

نظر بگیریم، اندازه نمونه لازم کدام است؟  $(\Phi^{-1}(0.975) = 2)$

(۱) ۱۳۰۲

(۲) ۶۵۱

(۳) ۴۱۲

(۴) ۳۲۶

۵۲- در آزمون فرض  $H_0: \mu = 0$  در مقابل  $H_1: \mu \neq 0$ ، اگر حاصل ضرب کران‌های بالا و پایین فاصله اطمینان

۹۵٪ برای پارامتر  $\mu$  یک عدد مثبت باشد، کدام مورد همواره درست است؟

(۱)  $H_0$  در سطح ۰/۰۱ رد می‌شود.

(۲)  $H_0$  در سطح ۰/۰۵ رد می‌شود.

(۳)  $H_0$  در سطح ۰/۰۱ پذیرفته می‌شود.

(۴)  $H_0$  در سطح ۰/۰۵ پذیرفته می‌شود.

۵۳- وزارت کار و امور اجتماعی، مزد روزانه کارگران کارخانه را به طور متوسط ۱۳۲۰۰ تومان با انحراف معیار ۲۵۰۰ تومان

تعیین نموده است. اگر مدیر کارخانه به ۲۵ کارگر خود روزانه به طور متوسط ۱۲۲۰۰ تومان پرداخت نماید، برای آزمون

$H_0: \mu = 13200$  در مقابل  $H_1: \mu < 13200$  مقدار  $p$  کدام است؟ ( $\Phi$  تابع توزیع تجمعی نرمال استاندارد است.)

(۱)  $1 - \Phi(-2)$

(۲)  $1 - \Phi(-0.4)$

(۳)  $\Phi(-2)$

(۴)  $\Phi(-0.4)$

۵۴- تعداد خطاهای چهار اپراتور یک خط تولید در پنج هفته متوالی یادداشت شده و جدول آنالیز واریانس برای بررسی تفاوت‌های فردی اپراتورها تشکیل شده است. نسبت F مطابق جدول آنالیز واریانس کدام است؟

منبع تغییرات	SS	df	MS	F
اپراتور	۱۲	-	-	?
خطا	-	-	-	
کل	۹۲	۱۹		

(۱) ۰/۲۸

(۲) ۰/۸

(۳) ۱/۲

(۴) با اطلاعات فوق قابل محاسبه نیست.

۵۵- در مدل رگرسیون برازش یافته  $\hat{y} = \beta x + ۰/۲$ ، مقدار  $\hat{\beta}$  کدام است؟

$$(n = ۴۰ \text{ و } \sum_{i=1}^n y_i = ۱۸۰, \sum_{i=1}^n x_i = ۲۰۰)$$

(۲) ۰/۹۱

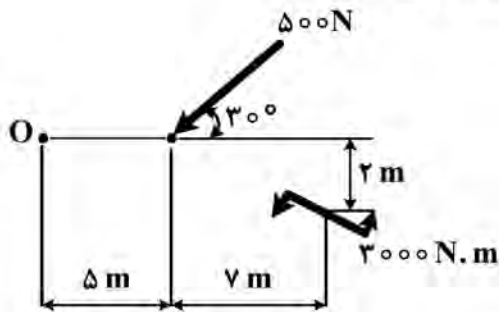
(۱) ۱/۱

(۴) ۰/۷

(۳) ۰/۸۶

استانیک:

۵۶- گشتاور برابند نیروی ۵۰۰ N و کوپل ۳۰۰۰ N.m حول نقطه O چند N.m است؟



(۱) ۱۲۵۰

(۲) ۱۷۵۰

(۳)  $۱۲۵۰\sqrt{۳}$

(۴)  $۱۷۵۰\sqrt{۳}$

۵۷- نقطه A با بردار موقعیت  $۱۲\hat{k} - ۳\hat{j} + ۱۶\hat{i}$  بر حسب متر بر روی خط عمل نیروی  $۱۶\hat{i} + ۱۰\hat{j} - ۳\hat{k}$  بر حسب نیوتن قرار دارد. اندازه گشتاور این نیرو حول محور گذرنده از نقاط B و C با بردارهای موقعیت  $۶\hat{i} + ۳\hat{j} - ۲\hat{k}$  و  $۳\hat{i} - ۴\hat{j} + ۱۲\hat{k}$  بر حسب متر، چند نیوتن متر است؟

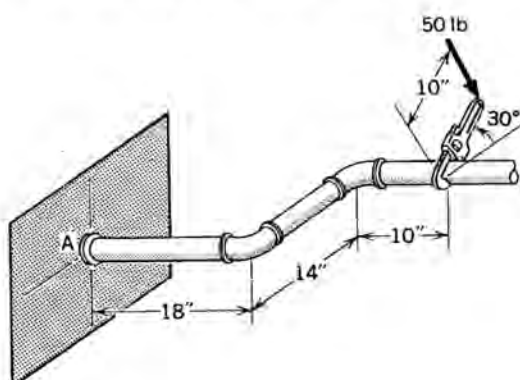
(۲)  $۱۳۳۲\sqrt{۲۵۴}$

(۱) ۱۳۳۲

(۴) صفر

(۳)  $\frac{۱۳۳۲}{\sqrt{۲۵۴}}$

۵۸- اندازه گشتاور پیچشی در A در نتیجه اعمال نیروی ۵۰ پوندی عمود بر راستای آچار مطابق شکل زیر چند



پوند اینچ است؟ ( $\sin ۳۰^\circ = \frac{۱}{۲}$  و  $\cos ۳۰^\circ = \frac{\sqrt{۳}}{۲}$ )

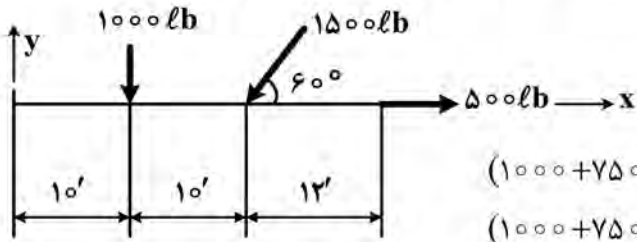
(۱)  $-۳۵۰ + ۵۰۰\sqrt{۳}$

(۲)  $۳۵۰ + ۵۰۰\sqrt{۳}$

(۳)  $-۵۰۰ + ۳۵۰\sqrt{۳}$

(۴)  $۵۰۰ + ۳۵۰\sqrt{۳}$

۵۹- معادله خط عمل نیروی برابند نیروهای شکل زیر کدام است؟  $(\sin 60^\circ = \frac{\sqrt{3}}{2}$  و  $\cos 60^\circ = \frac{1}{2})$



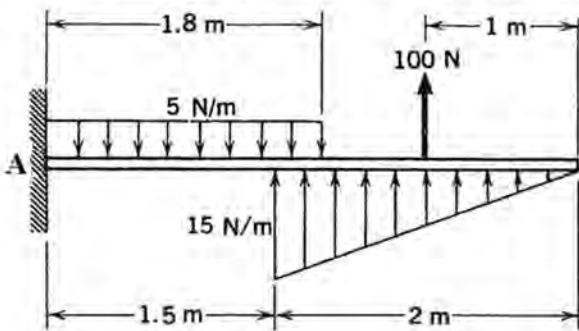
$$(1) \quad (1000 + 750\sqrt{3})\bar{x} - 250\bar{y} = 10000 + 15000\sqrt{3}$$

$$(2) \quad (1000 + 750\sqrt{3})\bar{y} - 250\bar{x} = 10000 + 15000\sqrt{3}$$

$$(3) \quad (1000 + 750\sqrt{3})\bar{x} + 250\bar{y} = 10000 + 15000\sqrt{3}$$

$$(4) \quad (1000 + 750\sqrt{3})\bar{y} + 250\bar{x} = 10000 + 15000\sqrt{3}$$

۶۰- راستای نیروی برابند سیستم نیروهای گسترده و متمرکز شکل زیر در فاصله چند متری نقطه A قرار دارد؟



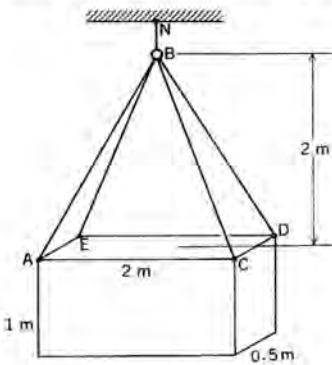
$$(1) \quad \frac{106}{274.4}$$

$$(2) \quad \frac{124}{290.6}$$

$$(3) \quad \frac{274.4}{106}$$

$$(4) \quad \frac{290.6}{124}$$

۶۱- بلوک مکعب شکل در تصویر زیر دارای توزیع جرم یکنواخت است و توسط پنج کابل نگهداشته شده است.



نیروی کشش کابل AB، چند برابر وزن بلوک است؟

$$(1) \quad 2/25$$

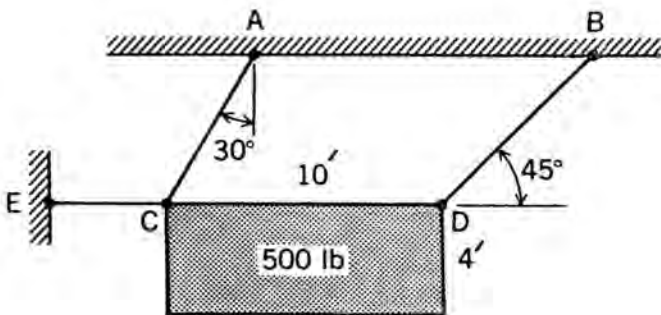
$$(2) \quad \frac{2/25}{2}$$

$$(3) \quad \frac{2/25}{4}$$

$$(4) \quad \frac{2/25}{8}$$

۶۲- قطعه‌ای با توزیع جرم یکنواخت مطابق شکل زیر، توسط سه کابل در تعادل نگهداشته شده است. نیروهای

کششی کابل‌های CA، DB و CE، به ترتیب چند برابر وزن قطعه هستند؟



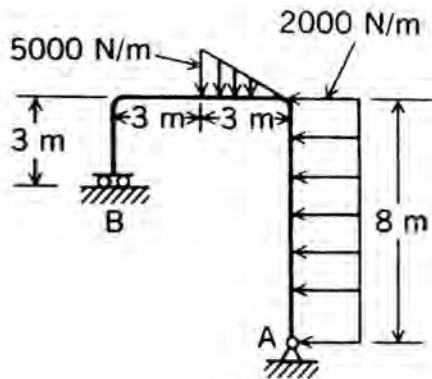
$$(1) \quad \frac{\sqrt{2} + \sqrt{3}}{2} \text{ و } \sqrt{3}, \sqrt{2}$$

$$(2) \quad \frac{1}{2} + \frac{1}{2\sqrt{3}} \text{ و } \frac{1}{\sqrt{3}}, \frac{1}{\sqrt{2}}$$

$$(3) \quad \frac{1}{\sqrt{2}} + \frac{1}{\sqrt{3}} \text{ و } \sqrt{3}, \frac{1}{\sqrt{2}}$$

$$(4) \quad \frac{1}{2} + \frac{2}{\sqrt{3}} \text{ و } \frac{1}{\sqrt{3}}, \sqrt{2}$$

۶۳- اندازه نیروی عکس‌العمل تکیه‌گاه غلتکی B چند نیوتن است؟



(۱)  $\frac{39500}{3}$

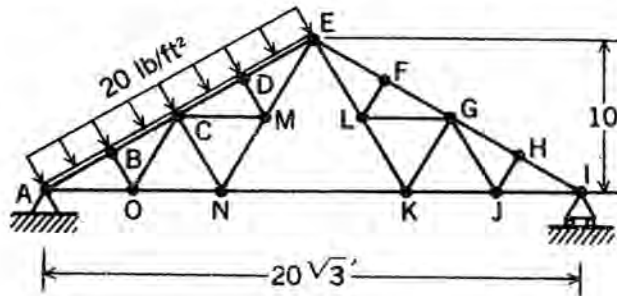
(۲)  $\frac{34000}{3}$

(۳) ۶۸۵۰۰

(۴) ۷۹۰۰۰

۶۴- با صرف نظر از وزن سازه در مقابل بار گسترده، نیروی عکس‌العمل تکیه‌گاه غلتکی در I و نیروهای محوری در

عضوهای JK و JH، به ترتیب، چند پوند هستند؟ (سازه نشان داده شده در جهت عمود بر صفحه تصویر ۱۰ فوت طول دارد.)



(۱)  $1000$  و  $1000\sqrt{3}$ ،  $2000\sqrt{3}$

(۲)  $2000$  و  $1000\sqrt{3}$ ،  $\frac{2000}{\sqrt{3}}$

(۳)  $2000\sqrt{3}$ ،  $1000$  و صفر

(۴)  $\frac{2000}{\sqrt{3}}$ ،  $2000$  و صفر

۶۵- گشتاور دوم سطح نیم‌دایره‌ای به شعاع R حول محور گذرنده از قطر آن  $\frac{\pi R^4}{\lambda}$  است. گشتاور دوم آن حول

محور گذرنده از مرکز سطح و موازی قطر آن کدام است؟ (فاصله مرکز سطح تا قطر آن  $\frac{4R}{3\pi}$  است.)

(۲)  $(\frac{\pi}{\lambda} + \frac{\lambda}{9\pi}) R^4$

(۱)  $(\frac{\pi}{\lambda} - \frac{\lambda}{9\pi}) R^4$

(۴)  $(\frac{\pi}{\lambda} - \frac{4}{9\pi}) R^4$

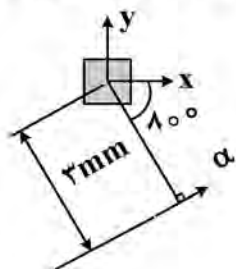
(۳)  $(\frac{\pi}{\lambda} + \frac{16}{9\pi}) R^4$

۶۶- کدام مورد نادرست است؟

- (۱) حاصلضرب دوم سطح ممکن است مثبت، منفی و یا صفر باشد.
- (۲) هر محور گذرنده از مرکز سطح یک مربع محور اصلی آن است.
- (۳) هر محور اصلی سطح محور تقارن آن است.
- (۴) هر محور تقارن سطح محور اصلی آن است.

۶۷- گشتاور دوم سطح مربع شکل زیر، حول محور  $\alpha$  چند  $\text{mm}^4$  است؟ (گشتاورهای دوم سطح مربع شکل زیر

حول محورهای گذرنده از مرکز سطح آن برابر  $5 \text{ mm}^4$  است.)



(۱)  $5 + 18\sqrt{15}$

(۲)  $5 + 9\sqrt{15}$

(۳)  $5 + 18\sqrt{15} \sin^2 100^\circ$

(۴)  $5 + 9\sqrt{15} \cos^2 100^\circ$

۶۸- گشتاورهای دوم و حاصلضرب دوم یک سطح نسبت به مختصات  $xy$  با مبدأ  $A$  محاسبه شده‌اند. اگر این مختصات حول مبدأ  $A$  دوران کند، کدام مورد درست است؟  
 (۱) گشتاور قطبی سطح تغییر می‌کند.

(۲) حاصل عبارت  $I_{xx} \cdot I_{yy} - I_{xy}^2$  تغییر می‌کند.

(۳) حاصلضرب دوم سطح نسبت به مختصات جدید تغییر نمی‌کند.

(۴) مجموع گشتاورهای دوم سطح نسبت به مختصات جدید تغییر نمی‌کند.

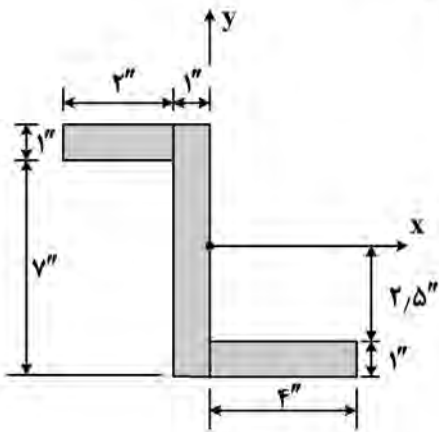
۶۹- حاصلضرب دوم سطح زیر نسبت به مختصات  $xy$  چند  $\text{in}^4$  است؟

(۱) ۴۲

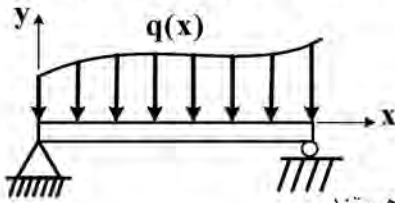
(۲) -۴۲

(۳) ۱۴

(۴) -۱۴



۷۰- به یک تیر بار گسترده جانبی  $q(x)$  مطابق شکل زیر، وارد می‌شود. در مقطع  $x$  کدام مورد درست است؟



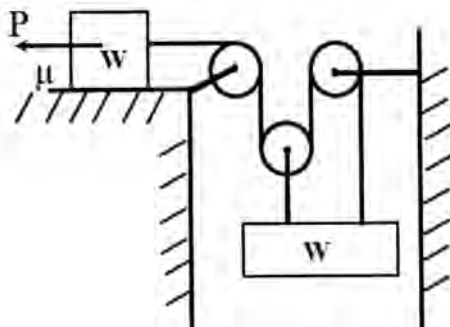
(۱) نیروی برشی، گشتاور خمشی و بار گسترده  $q(x)$  مستقل از یکدیگر هستند.

(۲) اندازه گشتاور خمشی تیر برابر اندازه مشتق نیروی برشی آن نسبت به  $x$  است.

(۳) اندازه نیروی برشی تیر برابر اندازه مشتق گشتاور خمشی آن نسبت به  $x$  است.

(۴) اندازه گشتاور خمشی تیر برابر اندازه مشتق دوم بار گسترده  $q(x)$  نسبت به  $x$  است.

۷۱- سامانه وزنه - قرقره شکل زیر در حالت تعادل بوده و وزنه‌ها وزنی معادل  $W$  دارند. در صورتی که ضریب اصطکاک بین جعبه و سطح تماس  $\mu$  باشد و اصطکاک بین ریسمان و قرقره‌ها ناچیز در نظر گرفته شود، حداکثر مقدار نیروی  $P$  برای حفظ تعادل چند برابر  $W$  است؟ (کمترین مقدار نیروی  $P$  برای حفظ تعادل صفر فرض شود).



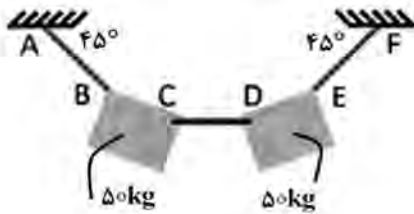
(۱)  $\frac{1}{4}$

(۲)  $\frac{2}{3}$

(۳)  $\frac{4}{5}$

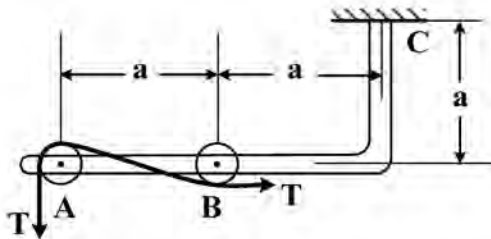
(۴)  $\frac{8}{5}$

۷۲- با توجه به شکل زیر، نیروی محوری داخل میله بی وزن CD چند کیلوگرم نیرو است؟



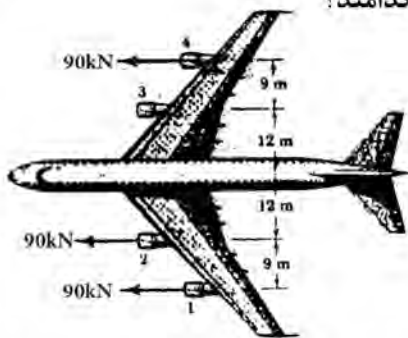
- (۱) ۵۰
- (۲) ۱۰۰
- (۳)  $۵۰\sqrt{۳}$
- (۴)  $۵۰\sqrt{۲}$

۷۳- در شکل زیر اندازه نیروی عکس العمل تکیه گاه C کدام است؟



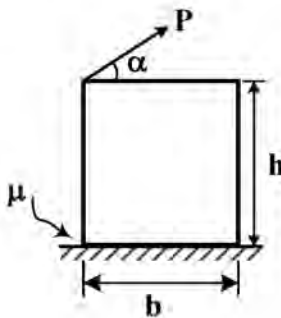
- (۱)  $۲\sqrt{۲} T$
- (۲)  $۲ T$
- (۳)  $\sqrt{۲} T$
- (۴)  $T$

۷۴- اگر موتور شماره ۳ در هواپیمای شکل زیر، از کار بیافتد، برآیند نیروهای پیشران ۳ موتور دیگر بر حسب kN و فاصله خط عمل آنها تا محور طولی هواپیما بر حسب متر، به ترتیب کدامند؟



- (۱) ۳ و ۹۰
- (۲) ۴ و ۹۰
- (۳) ۳ و ۲۷۰
- (۴) ۴ و ۲۷۰

۷۵- در جعبه زیر ماکزیمم زاویه  $\alpha$  برای آنکه جعبه روی زمین سر بخورد، کدام است؟ (مرکز جرم جعبه در مرکز هندسی آن قرار دارد.)



- (۱)  $\text{tg}^{-1}\left[\frac{1}{\mu} + \frac{2h}{b}\right]$
- (۲)  $\text{tg}^{-1}\left[\frac{1}{\mu} - \frac{2h}{b}\right]$
- (۳)  $\text{tg}^{-1}\left[\frac{b}{h}\right]$
- (۴)  $\text{tg}^{-1}\left[\frac{h}{b}\right]$

مهندسی آب و فاضلاب:

۷۶- اگر نیمه عمر فیزیکی یک ماده رادیواکتیو در بدن انسان ۱۰ روز و نیمه عمر مؤثر آن ۴ روز باشد، نیمه عمر بیولوژیکی این ماده چند روز است؟

- (۱) ۷
- (۲) ۸
- (۳) ۹
- (۴) ۱۰



۷۷- در یک کانال روباز با عمق جریان و عرض ۵/۰ متر، شیب یک درصد و ضریب مانینگ ۱۲/۰۵، میزان جریان چند مترمکعب بر ثانیه است؟

- (۱) ۲  
(۲) ۱/۴  
(۳) ۵/۸  
(۴) ۰/۶

۷۸- کدام مورد، مهم‌ترین عوامل مؤثر بر حجم ذخیره آتش‌نشانی مخزن آب پاک است؟

- (۱) نوع شبکه توزیع و جمعیت  
(۲) فشار شبکه و مدت آتش‌سوزی  
(۳) جمعیت و خطر آتش‌سوزی  
(۴) مدت آتش‌سوزی و محل رخداد

۷۹- در یک فرایند لجن فعال با دبی  $\frac{m^3}{d}$  ۱۰۰,۰۰۰ و زمان ماند میکروبی ۱۲ روز، غلظت MLSS و جامدات در لجن

دفعی به ترتیب ۳۰۰۰ و ۱۰۰۰۰ میلی‌گرم در لیتر و دبی لجن دفعی  $\frac{m^3}{d}$  ۸۰۰ است. زمان ماند هیدرولیکی در

این فرایند چند ساعت است؟

- (۱) ۶  
(۲) ۸  
(۳) ۱۰  
(۴) ۱۲

۸۰- کدام مورد مزیت راکتور اختلاط کامل نسبت به راکتور جریان قالبی در تصفیه آب و فاضلاب است؟

- (۱) زمان ماند بیشتر  
(۲) بهره‌برداری آسان‌تر  
(۳) سرعت بالاتر فرایند  
(۴) قابلیت پذیرش شوک‌های هیدرولیکی

۸۱- از کدام روش می‌توان برای حذف نیترات آب استفاده کرد؟

- (۱) ترسیب شیمیایی  
(۲) میکروفیلتراسیون  
(۳) اسمز معکوس  
(۴) جذب سطحی با آلومینای فعال

۸۲- کدام روش گندزایی، علاوه بر ایجاد باقیمانده پایدار در آب، فراورده جانبی کمتر و کم‌خطرتری ایجاد می‌کند؟

- (۱) پرتودهی فرابنفش  
(۲) کلرآمیناسیون  
(۳) ازناسیون  
(۴) کلرزنی

۸۳- مبنای تعیین مقادیر رهنمودی برای آلاینده‌های شیمیایی سرطان‌زا در آب آشامیدنی چیست؟

- (۱) شاخص بزرگی خطر کمتر از یک  
(۲) شاخص بزرگی خطر کمتر از یک‌دهم

(۳) ریسک سرطان‌زایی به میزان یک در ۱۰ هزار نفر  
(۴) ریسک سرطان‌زایی به میزان یک در ۱۰۰ هزار نفر

۸۴- کدام مورد، روش‌های حذف فسفر از فاضلاب را ارائه می‌دهد؟

- (۱) ترسیب و حذف بیولوژیکی  
(۲) حذف بیولوژیکی و ته‌نشینی  
(۳) فیلتراسیون و ترسیب  
(۴) ته‌نشینی و فیلتراسیون

۸۵- کدام پارامتر، شاخص تصفیه‌پذیری بیولوژیکی مواد آلی موجود در فاضلاب است؟

- (۱) BOD/COD  
(۲) ThOD/TOC  
(۳) TOC/COD  
(۴) BOD

۸۶- در یک سامانه آبرسانی با دبی  $\frac{m^3}{d}$  ۱۰,۰۰۰ و غلظت بیکربنات کلسیم و بیکربنات منیزیم  $\frac{meq}{L}$  ۶ و  $\frac{meq}{L}$  ۰,۴

برای حذف سختی، میزان مصرف آهک با درجه خلوص ۷۰ درصد چند  $\frac{kg}{d}$  است؟

- (۱) ۸۰۰۰  
(۲) ۶۰۰۰  
(۳) ۴۰۰۰  
(۴) ۲۰۰۰

۸۷- در تصفیه‌خانه فاضلابی با سیستم لجن فعال و دبی ۳۵۰۰۰ مترمکعب در روز، در صورتی که زمان ماند جامدات (SRT) برابر ۵ روز، حجم تانک هوادهی ۱۵۰۰ مترمکعب و غلظت MLSS برابر با ۲۰۰۰ میلی گرم در لیتر باشد، میزان لجن چند کیلوگرم در روز چقدر است؟

- (۱) ۶۰۰  
(۲) ۱۶۰  
(۳) ۳۷۵  
(۴) ۴۶

۸۸- در یک نمونه آب با pH واقعی و pH اشباع به ترتیب ۷/۵ و ۷/۹، شاخص راینر چقدر است؟

- (۱) ۷/۷  
(۲) ۸/۳  
(۳) ۵/۴  
(۴) -۵/۴

۸۹- در یک فرایند لجن فعال با دبی  $\frac{m^3}{d}$  ۱۰۰,۰۰۰ و نسبت برگشت لجن ۸۰ درصد، غلظت MLSS برابر

$\frac{mg}{L}$  ۴,۰۰۰ است، غلظت جامدات معلق در لجن دفعی چقدر است؟

- (۱) ۱۲۰۰۰  
(۲) ۱۱۰۰۰  
(۳) ۱۰۰۰۰  
(۴) ۹۰۰۰

۹۰- محدوده pH بهینه و غلظت مناسب ماده منعقدکننده جهت تصفیه آب از چه طریقی تعیین می‌شود؟

- (۱) نمونه‌برداری (۲) تیتراسیون (۳) جارتست (۴) pH متر

۹۱- کدورت‌سنجی آب، به روش جکسون و نفلومتری، به ترتیب چه روشی محسوب می‌شوند و مبنای کدورت‌سنجی آب در آنها کدام است؟

- (۱) مستقیم و عبور نور - غیرمستقیم و پراکنده شدن نور  
(۲) مستقیم و پراکنده شدن نور - غیرمستقیم و عبور نور  
(۳) غیرمستقیم و عبور نور - مستقیم و پراکنده شدن نور  
(۴) غیرمستقیم و پراکنده شدن نور - مستقیم و عبور نور

۹۲- باکتری‌های از ته، چگونه بر نتایج آنالیز BOD تأثیر می‌گذارند؟

- (۱) اکسیداسیون مواد آلی کربنه  
(۲) تولید اکسیژن در طی ۱۰ روز دوره کشت  
(۳) اکسیداسیون نیتروژن آمونیاکی به نیتروژن نیتراتی و نیتریتی  
(۴) اکسیداسیون نیتروژن نیتراتی و نیتریتی به نیتروژن آمونیاکی

۹۳- رفع مزاحمت کلروورها در اندازه‌گیری اکسیژن مورد نیاز شیمیایی با افزودن کدام ماده شیمیایی انجام می‌گیرد؟

- (۱) فروئین (۲) سولفات جیوه (۳) دی‌کرومات (۴) سولفامیک‌اسید

۹۴- کدام مورد در زمینه طراحی منهول‌های شبکه‌های ثقیلی جمع‌آوری فاضلاب درست است؟

- (۱) به هر منهول فقط یک خط لوله ثقیلی وارد می‌شود و هر تعداد می‌تواند خروجی داشته باشد.  
(۲) فواصل منهول‌گذاری سلیقه‌ای بوده و با توجه به شکل عوارض شهری تعریف می‌شود.  
(۳) با افزایش شیب خط لوله، فواصل منهول‌گذاری بیشتر می‌شود.  
(۴) با افزایش قطر لوله، فواصل منهول‌گذاری بیشتر می‌شود.

- ۹۵- با افزایش قطر لوله ثقلی جمع‌آوری فاضلاب، حداکثر سرعت مجاز و حداقل شیب مجاز جهت اجرا به ترتیب چه تغییری می‌کند؟
- (۱) افزایش - افزایش  
(۲) افزایش - کاهش  
(۳) کاهش - کاهش  
(۴) کاهش - افزایش
- ۹۶- پدیده بالکینگ رشته‌ای در فرایند لجن‌فعال، به چه دلایلی رخ می‌دهد؟
- (۱) HRT پایین و SRT بالا  
(۲) SRT پایین و  $\frac{F}{M}$  پایین  
(۳) HRT بالا و SRT پایین  
(۴) SRT بالا و  $\frac{F}{M}$  پایین
- ۹۷- کدام مورد، اثرات بهداشتی آلودگی آب به آرسنیک را ارائه می‌دهد؟
- (۱) سرطان و عوارض گوارشی  
(۲) عوارض پوستی و گوارشی  
(۳) عوارض پوستی و سرطان  
(۴) عوارض گوارشی و دیابت
- ۹۸- کدام گروه از آلاینده‌ها، در آب‌های زیرزمینی بیشتر از آب‌های سطحی وجود دارند؟
- (۱) نیترات و فلوراید  
(۲) آفت‌کش‌ها و NOM  
(۳) کدورت و نیترات  
(۴) NOM و فلوراید
- ۹۹- در محاسبه شاخص کیفیت آب (WQI)، چه مراحل انجام می‌شود؟
- (۱) تعیین پارامترهای ورودی و اهمیت آنها  
(۲) مقایسه مقادیر پارامترهای ورودی با استاندارد  
(۳) تجمیع مقادیر اندازه‌گیری شده پارامترهای ورودی  
(۴) استانداردسازی و وزن‌دهی پارامترهای ورودی
- ۱۰۰- مزیت روش‌های هوازی نسبت به روش‌های بی‌هوازی در حذف مواد آلی فاضلاب چیست؟
- (۱) تولید لجن کمتر  
(۲) عدم تولید گاز متان  
(۳) حجم راکتور کمتر  
(۴) زمان ماند میکروبی بیشتر

### مهندسی محیط زیست:

- ۱۰۱- یک فن تهویه در اتاقی به‌طور پیوسته و با دبی حجمی  $30 \frac{L}{s}$  کار می‌کند. اگر چگالی هوای داخل اتاق  $\frac{kg}{m^3}$  ۱/۲ باشد، جرم هوای خارج‌شده در یک روز چند کیلوگرم است؟
- (۱) ۴۳  
(۲) ۴۳۲  
(۳) ۳۱۱۰  
(۴) ۳۶۰۰
- ۱۰۲- در یک واحد صنعتی برای کنترل ذرات معلق دودکش از سه روش اتاقک ته‌نشینی، سیکلون و اسکرابر جهت کاهش ۹۵ درصدی غلظت ذرات معلق استفاده می‌شود. اگر راندمان اتاقک ته‌نشینی در حذف ذرات معلق ۲۰ درصد و راندمان سیکلون و اسکرابر برابر باشد، راندمان حذف ذرات معلق در سیکلون چند درصد است؟
- (۱) ۳۷/۵  
(۲) ۵۰  
(۳) ۶۰  
(۴) ۷۵

- ۱۰۳- در تعیین و گزارش شاخص کیفیت هوا (AQI)، آلاینده مسئول، آلاینده ..... است.
- (۱) دارای بالاترین غلظت  
(۲) ایجادکننده عوارض تنفسی حاد  
(۳) تعیین کننده مقدار عددی شاخص  
(۴) دارای بالاترین وزن در محاسبه شاخص
- ۱۰۴- کدام مورد روش های کنترل اکسیدهای نیتروژن را ارائه می دهد؟
- (۱) کاهش نسبت هوا به سوخت و احیاء غیرکاتالیستی انتخابی  
(۲) حذف نیتروژن از سوخت و جذب سطحی با کربن فعال  
(۳) احتراق تک مرحله ای و عدم بازچرخش جریان گاز  
(۴) افزایش دمای احتراق و احیاء کاتالیستی انتخابی
- ۱۰۵- برای دفع پسماند خطرناک از چه روش هایی می توان استفاده کرد؟
- (۱) دفن بهداشتی و تزریق در چاه های عمیق  
(۲) تزریق در چاه های عمیق و دفن ایمن  
(۳) دفن ایمن و دفن بهداشتی  
(۴) زباله سوزی و دفن ایمن
- ۱۰۶- کدام مورد، آلاینده ثانویه هوای آزاد است؟
- (۱) هیدروکربن ها  
(۲) نمک های نیترات  
(۳) HF  
(۴) HCl
- ۱۰۷- مطابق کنوانسیون بازل، کدام مورد درباره حمل و نقل بین المللی پسماند خطرناک درست است؟
- (۱) در مورد پسماند پزشکی، ممنوع است.  
(۲) در مورد پسماند رادیواکتیو، ممنوع است.  
(۳) حمل و نقل بین المللی هر نوع پسماند خطرناک، ممنوع است.  
(۴) منوط به کسب مجوز به مقصد کشورهای عضو، مجاز است.
- ۱۰۸- مطابق مقررات مدیریت پسماند کشور، کدام مورد درباره باز یافت پسماند بهداشتی - درمانی درست است؟
- (۱) مطلقاً ممنوع است.  
(۲) با کسب مجوز مجاز است.  
(۳) از پسماندهای عادی مجاز است.  
(۴) فقط باز یافت پلاستیک مجاز است.
- ۱۰۹- کدام روش، در مورد ظروف نگهداری پسماند بهداشتی - درمانی درست است؟
- (۱) پسماند دارویی در ظروف مشکی  
(۲) پسماند نوک تیز و برنده در ظروف فلزی  
(۳) پسماند عادی در ظروف زرد رنگ  
(۴) پسماند عفونی در ظروف زرد رنگ
- ۱۱۰- کدام گروه از پسماندهای خطرناک، تحت عنوان **universal waste** طبقه بندی می شوند؟
- (۱) باتری - لامپ - آفت کش  
(۲) لاستیک اتومبیل - لوازم خانگی برقی - لامپ  
(۳) روغن سوخته - باتری - بورد الکتریکی  
(۴) پسماند خطرناک صنایع نفت و پتروشیمی
- ۱۱۱- عامل اصلی توسعه در فلات ایران، کدام است؟
- (۱) پوشش گیاهی مناسب  
(۲) هوای مناسب محیط  
(۳) خاک مرغوب  
(۴) آب
- ۱۱۲- دلیل تفاوت کیفیت پساب های صنعتی چیست؟
- (۱) کاربرد روش های گوناگون تولید و تنوع مواد شیمیایی  
(۲) کاربرد روش های گوناگون تولید و مواد آلی محلول  
(۳) تکنولوژی پیشرفته و تنوع مواد شیمیایی  
(۴) تکنولوژی پیشرفته و مواد آلی محلول
- ۱۱۳- در تصفیه شیمیایی مقدماتی برای جلوگیری از رشد جلبک ها، از چه ترکیبی استفاده می شود؟
- (۱) سولفات آمونیوم  
(۲) سولفات دی کرومات  
(۳) سولفات مس  
(۴) سولفات منگنز

۱۱۴- در عملیات تثبیت و جامدسازی پسماند خطرناک با استفاده از سیمان، برای پسماند حاوی مقادیر زیاد سولفات بهتر است، از چه نوع سیمان پورتلندی استفاده شود؟

- (۱) نوع ۱ (۲) نوع ۲ (۳) نوع ۳ (۴) نوع ۵

۱۱۵- کدام مورد، درباره رادون به عنوان آلاینده هوا داخل ساختمان درست است؟

- (۱) حاصل واپاشی اورانیوم ۲۳۸ بوده و یکی از منابع انتشار آن، آب چاه‌های آلوده است.  
 (۲) حاصل واپاشی رادیوم ۲۲۶ بوده و یکی از منابع انتشار آن، آب چاه‌های آلوده است.  
 (۳) حاصل واپاشی رادیوم ۲۲۶ بوده و تنها منبع انتشار آن، مصالح به کار رفته در ساختمان است.  
 (۴) حاصل واپاشی اورانیوم ۲۳۸ بوده و تنها منبع انتشار آن، مصالح به کار رفته در ساختمان است.

۱۱۶- کدام مورد درجه حاصلخیزی دریاچه‌ها از زیاد به کم را بیان می‌کند؟

- (۱) اوتروفیک، الیگوتروفیک، مزوتروفیک (۲) مزوتروفیک، اوتروفیک، الیگوتروفیک  
 (۳) اوتروفیک، مزوتروفیک، الیگوتروفیک (۴) الیگوتروفیک، مزوتروفیک، اوتروفیک

۱۱۷- ضریب انبساط حجمی برای یک گاز ایده‌آل با تغییر در حجم و دما، برابر کدام مورد می‌باشد؟

(۱)  $T$  (۲)  $\frac{1}{T}$   
 (۳)  $\Delta p$  (۴)  $\frac{\Delta p}{\Delta T}$

۱۱۸- کدام نوع وارونگی دمایی، معمولاً در ارتفاعات میانی ایجاد می‌شود؟

- (۱) فصلی (۲) دره‌ای (۳) فروکشی (۴) تشعشعی

۱۱۹- کدام مورد، مراحل تکنیک ارزیابی چرخه حیات (LCA) است؟

- (۱) تعریف هدف و دامنه - آنالیز موجودی - ارزیابی اثرات - تفسیر  
 (۲) تعریف هدف و دامنه - ارزیابی اثرات - تفسیر اثرات - ارائه راهکار  
 (۳) شناخت محصول - آنالیز موجودی - اندازه‌گیری اثرات - تفسیر  
 (۴) شناخت محصول - طبقه‌بندی محصول - ارزیابی اثرات - ارائه راهکار

۱۲۰- کدام آلاینده هوا در ساعات بعدازظهر در هوای شهرها دارای غلظت بیشتری بوده و به‌طور ثانویه تشکیل می‌شود؟

- (۱)  $NO_2$  (۲) بنزن (۳) ازن (۴) NO





