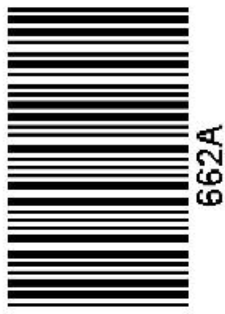


کد کنترل

662

A



آزمون ورودی دوره‌های کارشناسی ارشد ناپیوسته داخل - سال ۱۴۰۰

صبح چهارشنبه



«اگر دانشگاه اصلاح شود مملکت اصلاح می‌شود.»
امام خمینی (ره)

مشاوران
تحصیلی
جمهوری اسلامی ایران
وزارت علوم، تحقیقات و فناوری
سازمان سنجش آموزش کشور

فوتونیک - (کد ۱۲۰۵)

تعداد سؤال: ۱۳۰ تضمین قبولی کارشناسی ارشد فوتونیک
مدت پاسخ‌گویی: ۲۷۰ دقیقه

moshaveranetahsili.ir
عنوان مواد امتحانی، تعداد و شماره سؤالات

ردیف	مواد امتحانی	تعداد سؤال	از شماره	تا شماره
۱	زبان عمومی و تخصصی (انگلیسی)	۳۰	۱	۳۰
۲	الکترومغناطیس	۲۰	۳۱	۵۰
۳	فیزیک مدرن	۲۰	۵۱	۷۰
۴	مکانیک کوانتومی	۲۰	۷۱	۹۰
۵	الکترونیک	۲۰	۹۱	۱۱۰
۶	اپتیک	۲۰	۱۱۱	۱۳۰

استفاده از ماشین حساب مجاز نیست.

این آزمون نمره منفی دارد.

حق چاپ، تکثیر و انتشار سؤالات به هر روش (الکترونیکی و...) پس از برگزاری آزمون، برای تمامی اشخاص حقیقی و حقوقی تنها با مجوز این سازمان مجاز می‌باشد و با متخلفین برابر مقررات رفتار می‌شود.

* داوطلب گرامی، عدم درج مشخصات و امضا در مندرجات جدول ذیل، به منزله عدم حضور شما در جلسه آزمون است.

اینجانب با شماره داوطلبی با آگاهی کامل، یکسان بودن شماره صندلی خود را با شماره داوطلبی مندرج در بالای کارت ورود به جلسه، بالای پاسخنامه و دفترچه سؤالات، نوع و کد کنترل درج شده بر روی دفترچه سؤالات و پائین پاسخنامه را تأیید می‌نمایم.

امضا:

زبان عمومی و تخصصی (انگلیسی):

PART A: Vocabulary

Directions: Choose the word or phrase (1), (2), (3), or (4) that best completes each sentence. Then mark the correct choice on your answer sheet.

- 1- The police only believed me after an eyewitness ----- my account of the accident.
1) displayed 2) constituted 3) corroborated 4) suspected
- 2- The plan is to our ----- advantage; we will all benefit greatly from it.
1) concurrent 2) mutual 3) devoted 4) involved
- 3- Our organization is committed to pursuing its aims through peaceful ----- . We totally reject violence as a means of political change.
1) means 2) instruments 3) devices 4) gadgets
- 4- All parents receive a booklet which ----- the school's aims and objectives before their children start their first term.
1) clarifies 2) injects 3) conducts 4) notifies
- 5- Increasing the state pension is a ----- aim, but I don't think the country can afford it.
1) redundant 2) diverse 3) flexible 4) laudable
- 6- The primary aim in sumo wrestling is to knock your ----- right out of the ring!
1) protagonist 2) opponent 3) referee 4) beneficiary
- 7- The cost of the damage caused by the oil ----- will be around \$200 million.
1) spill 2) guilt 3) demerit 4) extent
- 8- Most of us ----- when we hear that many children spend more time watching TV than they spend in school. It's a rather scary thought.
1) withdraw 2) retreat 3) recoil 4) regress
- 9- Even though he isn't enrolled right now, Calvin says he will go to college ----- .
1) creatively 2) delicately 3) sentimentally 4) eventually
- 10- You should avoid driving during the snowstorm because the icy roads are ----- .
1) superficial 2) frigid 3) perilous 4) cautious

PART B: Cloze Test

Directions: Read the following passage and decide which choice (1), (2), (3), or (4) best fits each space. Then mark the correct choice on your answer sheet.

When it comes to visually identifying a work of art, there is no single set of values or aesthetic traits. A Baroque painting will not necessarily (1) ----- much with a contemporary performance piece, but they are both considered art.

(12) ----- the seemingly indefinable nature of art, there have always existed certain formal guidelines for its aesthetic judgment and analysis. Formalism is a concept in art theory (13) ----- an artwork's artistic value is determined solely by its form, or the way (14) -----, Formalism evaluates works on a purely visual level, (15) ----- medium and compositional elements as opposed to any reference to realism, context, or content.

- | | | | | |
|-----|-------------------|---------------|-------------------|-----------------|
| 11- | 1) share | 2) be sharing | 3) have shared | 4) be shared |
| 12- | 1) Although | 2) Despite | 3) Regardless | 4) However |
| 13- | 1) that | 2) that in it | 3) which | 4) in which |
| 14- | 1) of it made | 2) made | 3) how it is made | 4) it is made |
| 15- | 1) are considered | 2) considers | 3) considering | 4) and consider |

PART C: Reading Comprehension

Directions: Read the following three passages and answer the questions by choosing the best choice (1), (2), (3), or (4). Then mark the correct choice on your answer sheet.

PASSAGE 1:

The basic structure of an LED is a p-n junction. Under forward bias, minority carriers are injected from both sides of the junction. At the vicinity of the junction, there is an excess of carriers over their equilibrium values, and recombination will take place. However, if a heterojunction is utilized in the design, the efficiency can be much improved. If the heterojunctions are of Type-I, excess carriers of both types are injected and confined at the same space. As can be seen, the number of excess carriers can be significantly increased. It will be shown later that with increased carrier concentrations, the radiative recombination lifetime is shortened, leading to more-efficient radiative recombination. In this configuration, the central layer is undoped, bound by layers of opposite types. This double-heterojunction design yields the highest efficiency and is the preferred approach. Furthermore, if the central active layer is reduced to the range of 10 nm or smaller, a quantum well is formed. In this case, the 2-dimensional carrier densities become relevant and have to be calculated based on quantum mechanics. The effective 3-dimensional carrier densities (per unit volume), however, is given by the 2-D values divided by the quantum-layer width. This phenomenon pushes the carrier densities to higher levels and can result in higher efficiency. Another advantage of a thin active layer comes about in epitaxial growth, since a thin strained layer can accommodate higher level of lattice mismatch (see Section 1,7). Another feature of a quantum well is that quantization levels can theoretically extend the radiation energy beyond the energy gap, but this feature is rarely used.

For display applications, since the human eye is only sensitive to light of energy $h\nu > 1,8 \text{ eV}$, semiconductors of interest must have energy bandgaps larger than this value. In general, all of these semiconductors are direct-bandgap materials except for some of the alloy composition in the GaAsP system which will be discussed in more details later. Direct-bandgap semiconductors are particularly important for

electroluminescent devices, because the radiative recombination is a first-order transition process (no phonon involved) and the quantum efficiency is expected to be much higher than that for an indirect-bandgap semiconductor, where a phonon is involved.

- 16- **What is the use of the direct-bandgap semiconductors?**
 1) They are useful in power diodes.
 2) They are useful in electroluminescent devices.
 3) They are most useful in high efficiency transistors.
 4) They are used in tunnel diodes.
- 17- **What is an advantage of thin active layer?**
 1) Higher efficiency
 2) Its negative temperature coefficient
 3) Less temperature rise in the device
 4) A zero temperature coefficient device
- 18- **What is the concentration condition of carriers near the junction under forward bias condition?**
 1) There is an excess of ions near the junction.
 2) There is a reduction of high energy carriers.
 3) There is an excess of carriers over their equilibrium values.
 4) There is a reduction of excess carriers near the junction.
- 19- **What is the benefit of using the heterojunction structure in LEDs?**
 1) An improved efficiency
 2) A lower turn on voltage
 3) A lower operating temperature
 4) A simpler design structure
- 20- **Why are direct-bandgap semiconductors illumination efficiency higher?**
 1) The recombination process in these semiconductors are higher.
 2) The bandgap of these devices is smaller than regular structures.
 3) The electrons in these semiconductors have higher energy.
 4) The radiative recombination in these semiconductors is a first-order transition process.

PASSAGE 2:

Three major loss mechanisms reduce the quantity of emitted photons: (1) absorption within the LED material, (2) Fresnel loss, and (3) critical-angle loss. The absorption loss for LEDs on GaAs substrates is large since the substrate is opaque to light and it absorbs about 85% of the photons emitted at the junction. For LEDs on transparent substrates such as GaP with isoelectronic centers, photons emitted downward can be reflected back with only about 25% absorption; the efficiency can be significantly improved. The Fresnel loss is due to internal reflection back to the semiconductor. The third loss mechanism is caused by the total internal reflection of photons incident to the surface at angles greater than the critical angle. One interesting phenomenon arising from the Snell's law is that even though light inside the semiconductor has uniform intensity, light emitted into the ambient after refraction at the interface has an angle dependence. The emission pattern for an ideal hemisphere, since all rays are normal to the interface, the emitted intensity maintains a uniformly high intensity and the critical-angle loss is totally eliminated. However, in practice such a hemispherical shape is very hard to achieve. A good practical compromise is to cap the planar

structure with a hemispherical coating whose refractive index lies between that of the semiconductor and the ambient.

- 21- **What is the Fresnel loss mechanism due to?**
- 1) Internal negative temperature coefficient
 - 2) Internal recombination in the semiconductor
 - 3) Internal reflection back to the semiconductor
 - 4) Quantum loss
- 22- **What is the effect of the Snell's law on light emitted into ambient from a semiconductor?**
- 1) The light emitted into ambient is coherent.
 - 2) Light is intensified after emitting into the ambient.
 - 3) The light emitted into ambient has a different frequency.
 - 4) Light emitted into ambient after refraction at the interface has an angle dependence.
- 23- **Why is the emitted intensity for an ideal hemisphere maintained like a uniformly high intensity?**
- 1) Emitted light is frequency dependent.
 - 2) Light is transparent.
 - 3) Emitted light is reflect back at zero angle.
 - 4) The critical-angle loss is totally eliminated.
- 24- **Why is the absorption loss high for LEDs on GaAs substrates?**
- 1) Since the quantum efficiency is low in GaAs substrate.
 - 2) Since the substrate is opaque to the light.
 - 3) Since the refractive index of GaAs is high.
 - 4) Since the substrate is opaque to light and it absorbs most of the photons emitted at the junction.
- 25- **What is the third loss mechanism in radiated photons?**
- 1) The mechanism is caused by the total internal reflection of photons incident to the surface at angles smaller than the critical angle.
 - 2) The mechanism is caused by the total internal reflection of photons incident to the surface at angles greater than the critical angle.
 - 3) The mechanism is caused by the total internal reflection of photons incident to the surface at higher energies.
 - 4) The mechanism is caused by the partial internal reflection of photons incident to the surface at angles greater than the critical angle.

PASSAGE 3:

A photodiode has a depleted semiconductor region with a high electric field that serves to separate photo generated electron-hole pairs. For high-speed operation, the depletion region must be kept thin to reduce the transit time. On the other hand, to increase the quantum efficiency (the number of electron-hole pairs generated per incident photon), the depletion layer must be sufficiently thick to allow a large fraction of the incident light to be absorbed. Thus, there is a trade-off between the speed of response and quantum efficiency. For the visible and near-infrared wavelength range, photodiodes are usually reverse-biased with moderate biasing voltages, because this reduces the carrier transit time and lowers the diode capacitance. The reverse voltage is, however, not large enough to cause avalanche multiplication or breakdown. This

biasing condition is in contrast to avalanche photodiodes, where an internal current gain is obtained as a result of the impact ionization under avalanche breakdown conditions. All photodiodes, with the exception of the avalanche photodiode which is not included in this section, thus have a maximum gain of one.

A photoconductor consists simply of a slab of semiconductor, in bulk or thin-film form, with ohmic contacts affixed to the opposite ends. When incident light falls on the surface of the photoconductor, carriers are generated either by band-to-band transitions (intrinsic) or by transitions involving forbidden-gap energy levels (extrinsic), resulting in an increase in conductivity. For the intrinsic photoconductor, the increase of conductivity under illumination is mainly due to the increase in the number of carriers. For shorter wavelengths, the incident radiation is absorbed by the semiconductor, and electron-hole pairs are generated. For the extrinsic photoconductor, photoexcitation occurs between a band edge and an impurity energy level in the energy gap.

- 26- **What is the purpose of a reversed biased voltage in a photodiode?**
 1) To reduce the carrier transit time 2) To increase the diode capacitance
 3) To increase the carrier transit time 4) To increase recombination
- 27- **What happens when incident light falls on the surface of the photoconductor?**
 1) Carriers are reduced. 2) Recombination stops.
 3) Carriers are generated. 4) It heat is generated.
- 28- **Where does photoexcitation occur in the extrinsic photoconductor?**
 1) Between a band edge and an impurity energy level in the energy gap
 2) Between conduction and valence band
 3) In direct band gap
 4) In conduction band only
- 29- **Why does the reverse voltage in photodiodes NOT cause avalanche multiplication or breakdown?**
 1) It is large.
 2) It is not large enough.
 3) It is not related to such effects.
 4) It suppresses the avalanche multiplication.
- 30- **Why in photodiodes, the depletion layer must be thick?**
 1) To allow a small fraction of the incident light to be absorbed
 2) To allow a large fraction of the incident light to be absorbed
 3) To allow a large fraction of the incident light to be reflected
 4) To stop the flow of carriers.

الکترومغناطیس:

- ۳۱ سه بار نقطه‌ای $1\mu\text{C}$ ، $-2\mu\text{C}$ و $2\mu\text{C}$ در حلقه به ترتیب در نقاطی که مختصات دکارتی آن‌ها $(1\text{m}, 0, 0)$ ، $(0, 1\text{m}, 0)$ و $(0, 0, 1\text{m})$ است نگاه داشته شده‌اند. نیروی وارد بر بار $1\mu\text{C}$ بر حسب نیوتون کدام است؟

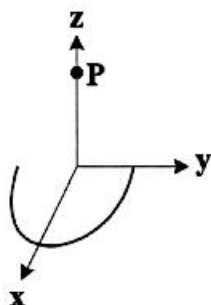
$$18 \times 10^{-3} \left(\frac{\hat{y} + \hat{z}}{\sqrt{2}} \right) \quad (2)$$

$$9 \times 10^{-3} \left(\frac{\hat{y} + \hat{z}}{\sqrt{2}} \right) \quad (1)$$

$$18 \times 10^{-3} \left(\frac{\hat{y} - \hat{z}}{\sqrt{2}} \right) \quad (4)$$

$$9 \times 10^{-3} \left(\frac{\hat{y} - \hat{z}}{\sqrt{2}} \right) \quad (3)$$

۳۲- بار الکتریکی به طور یکنواخت روی نیم حلقه عایقی به شعاع R که مطابق شکل در صفحه $x-y$ واقع است، توزیع شده است. مرکز حلقه منطبق بر مبدأ مختصات است. چگالی خطی بار روی نیم حلقه λ است. میدان الکتریکی در نقطه P به مختصات $(0,0,z)$ کدام است؟



$$\vec{E} = \frac{\lambda R}{\sqrt{\pi \epsilon_0} (z^2 + R^2)^{3/2}} \left(-\frac{R}{\pi} \hat{x} + \frac{z}{2} \hat{z} \right) \quad (1)$$

$$\vec{E} = \frac{\lambda R}{\sqrt{\pi \epsilon_0} (z^2 + R^2)^{3/2}} \left(-\frac{R}{2\pi} \hat{x} + \frac{z}{2} \hat{z} \right) \quad (2)$$

$$\vec{E} = \frac{\lambda R}{\sqrt{\pi \epsilon_0} (z^2 + R^2)^{3/2}} \left(-\frac{R}{\pi} \hat{x} + \frac{z}{2} \hat{z} \right) \quad (3)$$

$$\vec{E} = \frac{\lambda R}{\sqrt{\pi \epsilon_0} (z^2 + R^2)^{3/2}} \left(-\frac{R}{2\pi} \hat{x} + \frac{z}{2} \hat{z} \right) \quad (4)$$

۳۳- در یک محیط غیر مغناطیسی همگن و همسانگرد با رسانندگی g یک جریان پایا جاری است. کدام رابطه همواره درست است؟

Moshaveranetahsili.ir

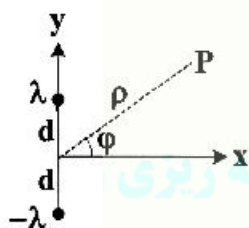
$$\nabla \times \vec{E} \neq 0 \quad (2)$$

$$\nabla \cdot \vec{E} = 0 \quad (1)$$

$$\nabla \times \vec{B} = 0 \quad (4)$$

$$\nabla \cdot \vec{B} = 0 \quad (3)$$

۳۴- دو خط بار نامتناهی با چگالی بار خطی یکنواخت λ و $-\lambda$ مطابق شکل زیر موازی محور z واقع اند. پتانسیل الکتریکی در نقطه P به مختصات قطبی (ρ, φ) تا مرتبه دوم d/ρ ($d < \rho$) کدام است؟



مشاوران تحصیلی

$$\frac{\lambda}{\pi \epsilon_0} \frac{d}{\rho} \sin \varphi \quad (1)$$

$$\frac{\lambda}{2\pi \epsilon_0} \frac{d}{\rho} \sin \varphi \quad (2)$$

$$\frac{\lambda}{\pi \epsilon_0} \left(\frac{d}{\rho} \right)^2 (1 - 2 \sin^2 \varphi) \quad (3)$$

$$\frac{\lambda}{2\pi \epsilon_0} \left(\frac{d}{\rho} \right)^2 (1 - 2 \sin^2 \varphi) \quad (4)$$

۳۵- بار الکتریکی Q به طور یکنواخت در حجم کره‌ای به شعاع R توزیع شده است. اگر مبدأ پتانسیل را در بی‌نهایت



مشاوران
تحصیلی

اختیار کنیم، پتانسیل الکتریکی در مرکز کره چقدر است؟

$$\frac{Q}{4\pi \epsilon_0 R} \quad (1)$$

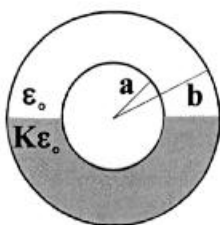
$$\frac{Q}{2\pi \epsilon_0 R} \quad (2)$$

$$\frac{3Q}{4\pi \epsilon_0 R} \quad (3)$$

$$\frac{3Q}{2\pi \epsilon_0 R} \quad (4)$$

Moshaveranetahsili.ir

۳۶- مطابق شکل زیر نیمی از یک خازن کروی با یک دی الکتریک به ثابت دی الکتریک $K=3$ و نیم دیگر از هوا ($K=1$) پر شده است. ظرفیت این خازن کدام است؟



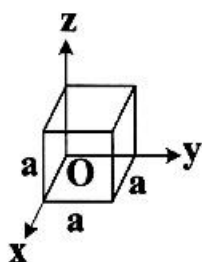
(۱) $C = \frac{3\pi\epsilon_0 ab}{b-a}$

(۲) $C = \frac{4\pi\epsilon_0 ab}{b-a}$

(۳) $C = \frac{6\pi\epsilon_0 ab}{b-a}$

(۴) $C = \frac{4\pi\epsilon_0 ab}{b-a}$

۳۷- بردار قطبش الکتریکی در نقطه دلخواه (x, y, z) از مکعب دی الکتریک نشان داده شده در شکل زیر برابر است با $\vec{P}(x, y, z) = P_0 \frac{xy}{a^2} \hat{x}$. مجموع بارهای سطحی قطبشی روی وجوه مکعب چقدر است؟



Moshaveranetahsili.ir

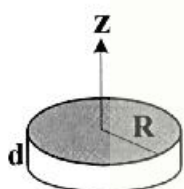
(۱) $P_0 \frac{a^2}{4}$

(۲) $P_0 \frac{a^2}{2}$

(۳) $-P_0 \frac{a^2}{4}$

(۴) صفر

۳۸- مطابق شکل یک قرص به شعاع R و ضخامت d در نظر بگیرید. بردار قطبش الکتریکی در حجم قرص یکنواخت و برابر $\vec{P} = P_0 \hat{z}$ است. میدان الکتریکی در مرکز قرص چقدر است؟



(۱) $\vec{E} = \frac{P_0}{2\epsilon_0} \left(1 - \frac{2d}{\sqrt{d^2 + 4R^2}} \right) \hat{z}$

(۲) $\vec{E} = \frac{P_0}{\epsilon_0} \left(1 - \frac{d}{\sqrt{d^2 + 4R^2}} \right) \hat{z}$

(۳) $\vec{E} = -\frac{P_0}{2\epsilon_0} \left(1 - \frac{2d}{\sqrt{d^2 + 4R^2}} \right) \hat{z}$

(۴) $\vec{E} = -\frac{P_0}{\epsilon_0} \left(1 - \frac{d}{\sqrt{d^2 + 4R^2}} \right) \hat{z}$

۳۹- چگالی بار سطحی روی یک صفحه تخت نامتناهی σ است. ناظری که با سرعت v به موازات صفحه حرکت می کند میدان الکتریکی این صفحه باردار را چقدر اندازه گیری می کند؟

(۲) $\frac{\sigma}{2\epsilon_0} \sqrt{1 - v^2/c^2}$

(۱) $\frac{\sigma}{2\epsilon_0} \frac{1}{\sqrt{1 - v^2/c^2}}$

(۴) $\frac{\sigma}{2\epsilon_0} \frac{v}{c} \sqrt{1 - v^2/c^2}$

(۳) $\frac{\sigma}{2\epsilon_0} \frac{v/c}{\sqrt{1 - v^2/c^2}}$

۴۰- کدام عبارت نادرست است؟

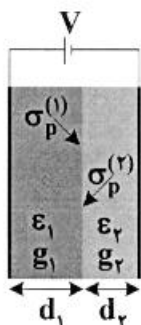
(۱) معادله نیروی لورنتس یک ناوردای لورنتسی است. (۲) بار الکتریکی q یک ناوردای لورنتسی است.

(۳) $\vec{E} \cdot \vec{B}$ یک ناوردای لورنتسی است. (۴) $(c\rho, \vec{J})$ یک هم‌وردای لورنتسی است.

۴۱- خازن تخت نشان داده شده در شکل زیر با دو محیط مادی مختلف پر شده است. محیط اول دارای ضخامت d_1 ،

گذردهی ϵ_1 و رسانندگی g_1 و محیط دوم دارای ضخامت d_2 ، گذردهی ϵ_2 و رسانندگی g_2 است. چگالی بار قطبشی

سطحی روی مرز دو محیط که با هم در تماس‌اند، کدام است؟



$$\sigma_p^{(1)} = \frac{\epsilon_1 g_1 V}{g_1 d_2 + g_2 d_1}, \quad \sigma_p^{(2)} = -\frac{\epsilon_2 g_2 V}{g_1 d_2 + g_2 d_1} \quad (1)$$

$$\sigma_p^{(1)} = -\frac{\epsilon_1 g_1 V}{g_1 d_2 + g_2 d_1}, \quad \sigma_p^{(2)} = \frac{\epsilon_2 g_2 V}{g_1 d_2 + g_2 d_1} \quad (2)$$

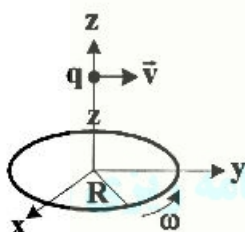
$$\sigma_p^{(1)} = \frac{\epsilon_1 g_2 V}{g_1 d_2 + g_2 d_1}, \quad \sigma_p^{(2)} = -\frac{\epsilon_2 g_1 V}{g_1 d_2 + g_2 d_1} \quad (3)$$

$$\sigma_p^{(1)} = -\frac{\epsilon_1 g_2 V}{g_1 d_2 + g_2 d_1}, \quad \sigma_p^{(2)} = \frac{\epsilon_2 g_1 V}{g_1 d_2 + g_2 d_1} \quad (4)$$

۴۲- بار الکتریکی Q به‌طور یکنواخت روی حلقه عایقی به شعاع R توزیع شده است. حلقه مطابق شکل زیر با

سرعت زاویه‌ای ω حول محور z می‌چرخد. در لحظه‌ای که بار نقطه‌ای q با سرعت $\vec{v} = v\hat{y}$ از نقطه $(0,0,2R)$

می‌گذرد، نیروی لورنتز وارد بر بار q کدام است؟



$$\vec{F} = \frac{Qq}{2\epsilon_0 \sqrt{\Delta} \pi \epsilon_0 R^2} (\hat{z} + \mu_0 \epsilon_0 \omega v R \hat{x}) \quad (1)$$

$$\vec{F} = \frac{Qq}{2\epsilon_0 \sqrt{\Delta} \pi \epsilon_0 R^2} (\gamma \hat{z} + \mu_0 \epsilon_0 \omega v R \hat{x}) \quad (2)$$

$$\vec{F} = \frac{Qq}{2\epsilon_0 \sqrt{\Delta} \pi \epsilon_0 R^2} (\gamma \hat{z} + \gamma \mu_0 \epsilon_0 \omega v R \hat{x}) \quad (3)$$

$$\vec{F} = \frac{Qq}{2\epsilon_0 \sqrt{\Delta} \pi \epsilon_0 R^2} (\hat{z} + \gamma \mu_0 \epsilon_0 \omega v R \hat{x}) \quad (4)$$

۴۳- مغناطیس در واحد حجم کره‌ای به شعاع R ، ثابت و با بردار \vec{M} داده شده است. میدان مغناطیسی در مرکز کره

چقدر است؟

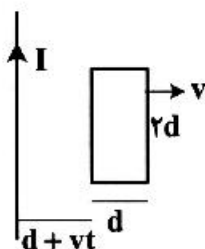
$$\frac{1}{3} \mu_0 \vec{M} \quad (1)$$

$$\frac{2}{3} \mu_0 \vec{M} \quad (2)$$

$$\frac{\pi}{3} \mu_0 \vec{M} \quad (3)$$

$$\frac{2\pi}{3} \mu_0 \vec{M} \quad (4)$$

۴۴- یک حلقه مستطیل شکل به طول $2d$ و عرض d ، مطابق شکل با سرعت v از یک سیم نامتناهی حامل جریان I دور می‌شود. حلقه و سیم همواره در یک صفحه باقی می‌مانند. در لحظه $t=0$ فاصله ضلع سمت چپ حلقه از سیم d است. نیروی محرکه القایی در حلقه در لحظه t کدام است؟



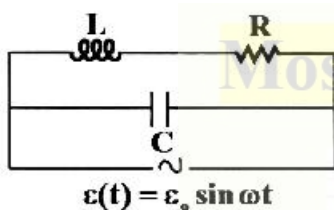
$$\epsilon = \frac{\mu_0 I v d}{\pi(3vt + 2d)} \quad (1)$$

$$\epsilon = \frac{\mu_0 I v d}{\pi(3vt + 2d)} \quad (2)$$

$$\epsilon = \frac{2\mu_0 I v d^2}{\pi(v^2 t^2 + 3vtd + 2d^2)} \quad (3)$$

$$\epsilon = \frac{\mu_0 I v d^2}{\pi(v^2 t^2 + 3vtd + 2d^2)} \quad (4)$$

۴۵- امیدانس مدار زیر چقدر است؟



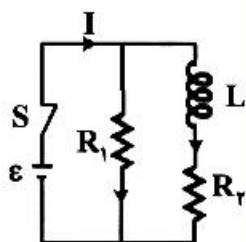
$$Z = \frac{R + i[R(1 - \omega^2 LC) - R^2 \omega C]}{\sqrt{(1 - \omega^2 LC)^2 + R^2 \omega^2 C^2}} \quad (1)$$

$$Z = \frac{R + i\omega[L(1 - \omega^2 LC) - R^2 C]}{\sqrt{(1 - \omega^2 LC)^2 + R^2 \omega^2 C^2}} \quad (2)$$

$$Z = \frac{R + i\omega[L(1 - \omega^2 LC) - R^2 C]}{(1 - \omega^2 LC)^2 + R^2 \omega^2 C^2} \quad (3)$$

$$Z = \frac{R + i[R(1 - \omega^2 LC) - R^2 \omega C]}{(1 - \omega^2 LC)^2 + R^2 \omega^2 C^2} \quad (4)$$

۴۶- در مدار شکل مقابل $\epsilon = 18V$ ، $L = 10H$ ، $R_1 = 9\Omega$ و $R_2 = 4\Omega$ است. در لحظه $t=0$ کلید S بسته می‌شود. نسبت $\frac{I(t=\infty)}{I(t=0)}$ چقدر است؟



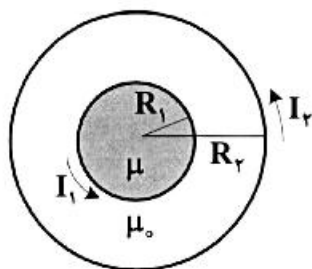
۲/۲۵ (۱)

۳/۲۵ (۲)

۴/۵ (۳)

۶/۵ (۴)

۴۷- شکل مقابل دو سیم‌لوله طویل هم محور به شعاع‌های R_1 و R_2 را نشان می‌دهد که به ترتیب دارای n_1 و n_2 حلقه سیم در واحد طول خود هستند. جریان گذرنده از سیم‌لوله داخلی I_1 و داخل آن با یک هسته از یک ماده فرومغناطیس خطی به ضریب تراوایی μ پر شده است. جریان گذرنده از سیم‌لوله خارجی I_2 است. ضریب جفت‌شدگی مربوط به واحد طول مدار، k ، به صورت $M_{12} = k\sqrt{L_1 L_2}$ تعریف می‌شود. $\frac{1}{k}$ کدام است؟



$$\sqrt{1 + \frac{\mu_0}{\mu} \left[\left(\frac{R_2}{R_1} \right)^2 - 1 \right]} \quad (1)$$

$$\sqrt{1 + \frac{\mu_0}{\mu} \left[\left(\frac{R_2}{R_1} \right)^2 - 1 \right]} \quad (2)$$

$$\sqrt{\left(\frac{n_2}{n_1} \right)^2 + \frac{\mu_0}{\mu} \left[\left(\frac{R_2}{R_1} \right)^2 - 1 \right]} \quad (3)$$

$$\sqrt{\left(\frac{n_2}{n_1} \right)^2 + \frac{\mu_0}{\mu} \left[\left(\frac{R_2}{R_1} \right)^2 - 1 \right]} \quad (4)$$

۴۸- میدان الکتریکی یک موج الکترومغناطیسی تخت که در یک محیط دی الکتریک منتشر می‌شود به شکل

$$\vec{E}(z, t) = \hat{x} \cos(10^8 t - \frac{z}{\sqrt{3}}) - \hat{y} \sin(10^8 t - \frac{z}{\sqrt{3}}) \text{ است که } t \text{ بر حسب ثانیه، } z \text{ بر حسب متر و } \vec{E} \text{ بر حسب } V/m$$

است. کدام عبارت نادرست است؟

(۱) بسامد موج $1.6 \times 10^7 \text{ Hz}$ و طول موج آن $10^9/9 \text{ m}$ است.

(۲) ثابت دی الکتریک محیط ۳ است.

(۳) موج دارای قطبش بیضوی راستگرد است.

(۴) $\vec{H}(z, t)$ در صفحه $x-y$ واقع است.

۴۹- مؤلفه‌های میدان الکتریکی در یک موجی به شکل دو صفحه رسانای موازی نامتناهی واقع در $y = b$ و $y = 0$

برای مد TM_1 به صورت زیر است. معادله خطوط میدان الکتریکی در صفحه $y-z$ در لحظه $t = 0$ کدام است؟

(C یک ثابت است و $0 \leq y \leq b$.)

$$E_x(y, z, t) = E_0 \sin\left(\frac{\pi y}{b}\right) \cos(\omega t - kz), \quad E_y(y, z, t) = E_0 \left(\frac{kb}{\pi}\right) \cos\left(\frac{\pi y}{b}\right) \sin(\omega t - kz)$$

$$\sin\left(\frac{\pi y}{b}\right) \sin kz = C \quad (1)$$

$$\cos\left(\frac{\pi y}{b}\right) \cos kz = C \quad (2)$$

$$\sin\left(\frac{\pi y}{b}\right) \cos kz = C \quad (3)$$

$$\cos\left(\frac{\pi y}{b}\right) \sin kz = C \quad (4)$$

۵۰- در اثر تابش پرتوهای X به یک ماده، الکترون‌های ماده تابش می‌کنند. به دلیل این که انرژی پیوند الکترون‌ها به اتم‌های تشکیل دهنده ماده، در مقایسه با انرژی پرتوهای X خیلی کوچک است، می‌توان الکترون‌ها را آزاد در نظر گرفت. توان تابشی الکترون‌هایی که در اثر تابش یک پرتو X با میدان الکتریکی E شتاب می‌گیرند چقدر است؟

$$\frac{1}{4\pi\epsilon_0} \frac{e^2 E^2}{m^2 c^3} \quad (۲)$$

$$\frac{1}{4\pi\epsilon_0} \frac{e^2 E}{m^2 c^3} \quad (۱)$$

$$\frac{1}{6\pi\epsilon_0} \frac{e^2 E^2}{m^2 c^3} \quad (۴)$$

$$\frac{1}{6\pi\epsilon_0} \frac{e^2 E}{m^2 c^3} \quad (۳)$$

فیزیک مدرن:

۵۱- فاصله‌ی مرکز کهکشان شیری تالیه آن 1.7×10^4 سال است. اگر شخصی بخواهد با سرعت ثابت از مرکز کهکشان به لبه آن در مدت زمان ۵۰۰۰ سال (ویژه زمان) سفر کند. اندازه سرعت این شخص نسبت به زمین چقدر باید باشد؟

$$\frac{36}{37} c \quad (۲)$$

$$\frac{6}{\sqrt{37}} c \quad (۱)$$

$$\frac{1}{7} c \quad (۴)$$

$$\frac{1}{\sqrt{7}} c \quad (۳)$$

۵۲- در یک فرایند تولید جفت الکترون - پوزیترون ناظر ساکن در آزمایشگاه انرژی و تکانه‌ی پوزیترون را E_+ و \vec{p}_+ و انرژی و تکانه‌ی الکترون را E_- و \vec{p}_- و زاویه‌ی بین بردارهای سرعت آن دو را θ اندازه‌گیری می‌کند. انرژی الکترون تولید شده، در دستگاه مختصات مرکز جرم، کدام است؟

$$\sqrt{(m_e^2 c^4 + E_+ E_- - c^2 p_+ p_- \cos \theta)} / 2 \quad (۲)$$

$$\sqrt{(m_e^2 c^4 + E_+ E_- + c^2 p_+ p_- \cos \theta)} / 2 \quad (۱)$$

$$\sqrt{\frac{1}{2}(m_e^2 c^4 + E_+ E_-) + c^2 p_+ p_- \cos \theta} \quad (۴)$$

$$\sqrt{\frac{1}{2}(m_e^2 c^4 + E_+ E_-) - c^2 p_+ p_- \cos \theta} \quad (۳)$$

۵۳- از برخورد پرتوهای کیهانی پر انرژی با جو زمین در ارتفاع ۱۰۰m از سطح زمین ذرات پایون تولید می‌شوند. اگر پایون‌ها به‌طور عمودی و با تندی $0.9c$ به سمت زمین حرکت کنند و زمان فروپاشی آن‌ها در دستگاه مختصات سکون خود برابر 2.5×10^{-8} ثانیه پس از به‌وجود آمدن ذرات باشد، ناظر زمینی تقریباً در چه ارتفاعی از سطح زمین، فروپاشی پایون‌ها را مشاهده می‌کند؟

$$84/5 \quad (۴)$$

$$93/2 \quad (۳)$$

$$64/5 \quad (۲)$$

$$97/0 \quad (۱)$$

۵۴- ناظر S' با سرعت v نسبت به ناظر S در راستای محور x در حرکت است. تبدیلات لورنتس که مکان x' و زمان t' یک رویداد را که ناظر S' اندازه‌گیری کرده بر حسب مختصه x و زمان t اندازه‌گیری شده توسط ناظر S بیان

می‌کنند، بر حسب پارامتر $\tanh \alpha = \frac{v}{c}$ کدامند؟ (c تندی نور در خلا است).

$$x' = x \cosh \alpha - ct \sinh \alpha, \quad t' = t \sinh \alpha - (xt \cosh \alpha) / c \quad (۱)$$

$$x' = x \sinh \alpha - ct \cosh \alpha, \quad t' = t \cosh \alpha - (xt \sinh \alpha) / c \quad (۲)$$

$$x' = x \cosh \alpha - ct \sinh \alpha, \quad t' = t \cosh \alpha - (xt \sinh \alpha) / c \quad (۳)$$

$$x' = x \sinh \alpha - ct \cosh \alpha, \quad t' = t \sinh \alpha - (xt \cosh \alpha) / c \quad (۴)$$

۵۵- یک ذره خنثی K^0 به جرم سکون $\frac{MeV}{c^2}$ 500 در حین حرکت به دو ذره پيون تلاشى مي‌يابد ($K^0 \rightarrow \pi^+ \pi^-$)

که جرم دو پيون يکسان و برابر $\frac{MeV}{c^2}$ 140 است. ذره π^- پس از توليد نسبت به ناظر آزمايشگاه ساکن است.

انرژی جنبشی π^- در دستگاه سکون K^0 چند MeV است؟

- (۱) ۱۰۹
(۲) ۲۴۹
(۳) ۱۸۰
(۴) صفر

۵۶- انرژی جنبشی یک الکترون دو برابر انرژی سکون آن است. انرژی فوتونی که تکانه خطی آن مساوی تکانه خطی

این الکترون باشد چند برابر انرژی سکون الکترون است؟

- (۱) $2\sqrt{2}$
(۲) $\sqrt{3}$
(۳) ۸
(۴) ۳

۵۷- فرض کنید یک ذره ميون (μ) در حالت سکون فروپاشی می‌کند: $\mu^- \rightarrow e^- + \bar{\nu}_e + \nu_\mu$ اگر انرژی اولیه ميون به

طور مساوی بين سه لپتون تقسیم شود، زاویه بين راستای انتشار هر دو لپتون چند درجه است؟ (از جرم ذرات حاصل از فروپاشی در برابر جرم ميون صرف نظر کنید).

- (۱) ۹۰
(۲) ۶۰
(۳) ۱۲۰
(۴) ۴۵

۵۸- ذره A با سرعت αc به سمت ذره ساکن B در حرکت است. با چه سرعتی یک ناظر باید حرکت کند تا در

چارچوب مرجع او دو ذره سرعت‌هایی مساوی و در خلاف جهت يکديگر داشته باشند؟

(۱) $\frac{c}{\alpha} (1 - \sqrt{1 + \alpha^2})$
(۲) $\frac{c}{\alpha} (1 + \sqrt{1 - \alpha^2})$

(۳) $\frac{c}{\alpha} (1 + \sqrt{1 + \alpha^2})$
(۴) $\frac{c}{\alpha} (1 - \sqrt{1 - \alpha^2})$

۵۹- یک پرتو گاما به یک پروتون ساکن برخورد کرده و یک پيون خنثی توليد می‌کند: $\gamma + p \rightarrow p + \pi^0$. حداقل انرژی

لازم پرتو گاما برای انجام این برهمکنش کدام است؟ (m_p جرم سکون پروتون و m_π جرم سکون پيون خنثی است).

(۱) $\frac{m_\pi + m_p}{2m_p} (m_\pi c^2)$
(۲) $\frac{m_\pi + 2m_p}{2m_p} (m_\pi c^2)$

(۳) $\frac{m_\pi + 2m_p}{m_p} (m_\pi c^2)$
(۴) $\frac{m_\pi + m_p}{m_p} (m_\pi c^2)$

۶۰- زوج الکترون - پوزیترون در دستگاه مختصات S ساکن هستند و دچار نابودی شده و دو فوتون توليد می‌شود.

دستگاه مختصات S' هم جهت با فوتون شماره یک با سرعت v نسبت به دستگاه S در حرکت است. طول موج

فوتون شماره یک در دستگاه S' چقدر است؟ (m_0 جرم سکون الکترون است).

(۱) $\frac{h}{m_0 c} \sqrt{\frac{c-v}{c+v}}$
(۲) $\frac{h}{m_0 c} \sqrt{\frac{c+v}{c-v}}$

(۳) $\frac{h}{m_0 c} \frac{c-v}{c+v}$
(۴) $\frac{h}{m_0 c} \frac{c+v}{c-v}$

۶۱- اگر تابع توزیع پلانک برای چگالی انرژی تابشی جسم سیاه بر حسب فرکانس به شکل

$$\rho(\nu) = \frac{8\pi\nu^2}{c^3} \frac{h\nu}{e^{h\nu/kT} - 1}$$

باشد، شکل این تابع توزیع بر حسب طول موج چگونه است؟

$$\rho(\lambda) = \frac{\lambda\pi h c}{\lambda^5} \frac{1}{e^{hc/\lambda kT} - 1} \quad (۲) \qquad \rho(\lambda) = \frac{\lambda\pi h}{\lambda^3} \frac{1}{e^{hc/\lambda kT} - 1} \quad (۱)$$

$$\rho(\lambda) = \frac{\lambda\pi h}{\lambda^5 c^3} \frac{1}{e^{hc/\lambda kT} - 1} \quad (۴) \qquad \rho(\lambda) = \frac{\lambda\pi h}{\lambda^3 c^3} \frac{1}{e^{hc/\lambda kT} - 1} \quad (۳)$$

۶۲- کدام گزاره درباره‌ی اثر فوتوالکتریک برای یک الکترون آزاد درست است؟

- (۱) این پدیده با برقراری همزمان پایستاری انرژی و تکانه خطی امکان رخ دادن دارد.
- (۲) اگر رخ دهد، پایستگی همزمان انرژی نسبیتی و تکانه خطی نسبیتی برقرار نمی‌شود.
- (۳) این پدیده با برقراری همزمان پایستاری انرژی و بار الکتریکی امکان رخ دادن دارد.
- (۴) اگر رخ دهد، فقط پایستگی تکانه خطی نسبیتی نقض می‌شود.

۶۳- کدام عبارت در مورد پراکندگی نور از یک ماده هدف نادرست است؟

- (۱) اگر طول موج تابشی در محدوده ایکس یا طول موج‌های کوچک‌تر از آن باشد، پراکندگی کامپتون غالب است.
- (۲) اگر طول موج تابشی در محدوده مرئی یا طول موج‌های بزرگ‌تر از آن باشد، پراکندگی تامسون غالب است.
- (۳) در پراکندگی کامپتون فقط الکترون‌های آزاد در هدف می‌توانند شرکت کنند.
- (۴) پراکندگی تامسون بر اساس فیزیک کلاسیک قابل توجیه است.

۶۴- پرتوهای ایکسی با طول موج 0.04 nm از یک هدف کربن پراکنده می‌شود و پرتوهای پراکنده شده با راستای

پرتو تابشی زاویه 45° می‌سازند. تقریباً چند درصد از انرژی پرتو ایکس اولیه به الکترون‌های اتم هدف منتقل شده است؟

(۱) ۱۵

(۲) ۱۸

(۳) ۵/۴

(۴) ۱/۸

۶۵- در فرایند واپاشی β عنصر ^{14}C ، بیشینه‌ی انرژی الکترون‌های آزاد شده برابر 0.16 MeV است. اگر تابع توزیع

تعداد الکترون‌ها بر حسب انرژی به صورت $N(E) dE = A\sqrt{E} (E_{\text{max}} - E) dE$ باشد که A ضریب ثابتی است،

نرخ انرژی آزاد شده توسط نمونه‌ی از ^{14}C که $3/5 \times 10^7$ الکترون در ثانیه تابش می‌کند، چند $\frac{\text{MeV}}{\text{s}}$ است؟

(۱) $2/4 \times 10^6$

(۲) $1/2 \times 10^5$

(۳) $5/6 \times 10^6$

(۴) $2/8 \times 10^5$

۶۶- در یون لیتیموم Li^{++} بسامد نوری که از گذار الکترون از اولین حالت برانگیخته به حالت پایه گسیل می‌شود چند برابر بسامد نوری است که از گذار الکترون از اولین حالت برانگیخته به حالت پایه در اتم هیدروژن گسیل می‌شود؟ (عدد جرمی اتم لیتیموم ۷ و عدد اتمی آن ۳ است.)

- ۲ (۱)
- ۴ (۲)
- ۳ (۳)
- ۷ (۴)

۶۷- برای یک پیکربندی دارای دو الکترون با اعداد کوانتومی $\ell_1 = 1$ و $\ell_2 = 2$ مقادیر ممکن J ممنتوم زاویه‌ای کل، کدامند؟ ($\vec{J} = \vec{\ell} + \vec{s}$)

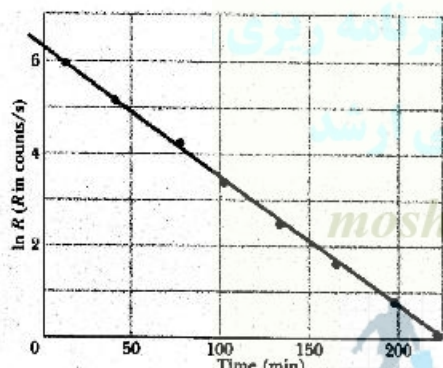
- (۱) $\frac{7}{2}, \frac{5}{2}, \frac{3}{2}, \frac{1}{2}$
- (۲) ۵, ۴, ۳, ۲, ۱
- (۳) ۴, ۳, ۲, ۱, ۰
- (۴) $\frac{9}{2}, \frac{7}{2}, \frac{5}{2}, \frac{3}{2}$

Moshaveranetahsili.ir

۶۸- فلزی در دمای 800K قرار دارد. احتمال آن که الکترونی توازن انرژی 0.7eV بالاتر از سطح فرمی این فلز را اشغال کند، تقریباً چقدر است؟ ($e \cong 2/72$ و $k_B = 1/4 \times 10^{-23} \text{ J/K}$)

- (۱) ۰/۵۸
- (۲) ۰/۳۷
- (۳) ۰/۲۷
- (۴) ۰/۷۳

۶۹- در شکل زیر نمودار نیم لگاریتمی آهنگ تلاشی یک ماده رادیواکتیو بر حسب زمان رسم شده است. با توجه به این نمودار، نیمه عمر این ماده چند دقیقه است؟ (واحد محور افقی دقیقه و واحد محور عمودی شمارش در ثانیه است.)



- (۱) $\ln 2 = 0.7$
- (۲) ۳۶
- (۳) ۲۵
- (۴) ۲۲۵
- (۵) ۱۵۰

۷۰- کدام عبارت نادرست است؟

- (۱) در راکتورهای هسته‌ای ماده کند کننده در قلب راکتور و در مجاورت میله‌های سوخت قرار دارد.
- (۲) نوترون‌هایی که بر اثر شکافت هسته‌ای تولید می‌شوند سریع بوده و انرژی جنبشی در حدود 2MeV دارند.
- (۳) هسته U^{235} با جذب یک نوترینوی حرارتی تبدیل به هسته U^{236} می‌شود که این هسته بر اثر شکافت به دو هسته سبک‌تر تجزیه می‌شود.
- (۴) هسته U^{238} با جذب یک نوترینوی حرارتی تبدیل به هسته U^{239} می‌شود که این هسته بر اثر شکافت به دو هسته سبک‌تر تجزیه می‌شود.

مکانیک کوانتومی:

۷۱- الکترونی به جرم m در یک جعبه مکعبی شکل به ضلع a محبوس است. اگر این الکترون از دومین حالت برانگیخته به حالت پایه خود برگردد، طول موج فوتون گسیلی در این گذار کدام است؟ (c سرعت نور در خلا و h ثابت پلانک است.)

(۱) $\frac{ma^2c}{h}$

(۲) $\frac{\lambda ma^2c}{2h}$

(۳) $\frac{4ma^2c}{3h}$

(۴) $\frac{\lambda ma^2c}{5h}$

۷۲- ذره‌ای در یک چاه بی‌نهایت یک بعدی که دیواره‌های آن در $x=0$ و $x=L$ قرار دارند، حرکت می‌کند. تابع حالت ذره درون چاه به صورت $\psi(x) = A(x^2 - Lx)$ است که در آن A ضریبی ثابت است. احتمال آن که در این حالت ذره در بازه $L/4 \leq x \leq 3L/4$ یافت شود، کدام است؟



مشاوران تحصیلی

تخصصی ترین مرکز مشاوره، برنامه ریزی

(۱) $\frac{21}{64}$

(۲) $\frac{43}{64}$

(۳) $\frac{459}{512}$

(۴) $\frac{53}{512}$

۷۳- الکترونی در جعبه‌ای یک بعدی به عرض $1\mu m$ در نظر بگیرید. چندمین نراز انرژی این مجموعه برابر $1mV$ است؟ (جرم الکترون $m_e = 9.1 \times 10^{-31} kg$ است.)

moshaveranetahsili.ir



(۱) ۲۶

(۲) ۵۲

(۳) ۱۶۲۵

(۴) ۵۱۴۷۸

Moshaveranetahsili.ir

۷۴- هامیلتونی یک سامانه دو ترازوی به شکل $H = \epsilon_0 \begin{pmatrix} 3 & 4i \\ -4i & -1 \end{pmatrix}$ است. انرژی متوسط این سامانه در حالت

$$|\phi\rangle = \frac{1}{\sqrt{3}} \begin{pmatrix} 1 \\ 1-i \end{pmatrix}$$

(۱) $\frac{5}{3}\epsilon_0$

(۲) $2\epsilon_0$

(۳) $\frac{11+2i}{3}\epsilon_0$

(۴) $\frac{3+2i}{3}\epsilon_0$

۷۵- بردار حالت یک نوسانگر هماهنگ یک بعدی به شکل $|\psi\rangle = (|3\rangle - i|2\rangle) / \sqrt{2}$ است، که در آن $|n\rangle$ ویژه حالت بهنجار هامیلتونی ذره $H = (n + 1/2)\hbar\omega$ است. مقدار چشم‌داشتی عملگر $(aa^\dagger)^2$ در حالت $|\psi\rangle$ کدام است؟ (a عملگر پایین‌بر در مساله نوسانگر است.)

(۱) $\frac{19}{2}$

(۲) $\frac{9}{2}$

(۳) $\frac{7}{2}$

(۴) $\frac{25}{2}$



مشاوران تحصیلی

۷۶- تابع موج ذره‌ای به جرم m که در راستای محور x حرکت می‌کند به شکل $\psi(x) = Ae^{-x^2 + ikx} + Be^{-x^2 - ikx}$ است که A و B ضرایب ثابت مختلط و k ثابت حقیقی هستند. $\vec{J}(x, t)$ جریان احتمال ذره کدام است؟

(۱) $\frac{\hbar k}{m} e^{-2x^2} [k(|A|^2 - |B|^2) - 2x(|A + B|^2)] \hat{i}$

(۲) $\frac{\hbar k}{m} e^{-2x^2} [k(|A|^2 - |B|^2) - 2x(|A|^2 + |B|^2)] \hat{i}$

(۳) $\frac{\hbar k}{m} e^{-2x^2} (|B|^2 - |A|^2) \hat{i}$

(۴) $\frac{\hbar k}{m} e^{-2x^2} (|A|^2 - |B|^2) \hat{i}$

۷۷- ذره‌ای به جرم m و انرژی $E > 0$ از سمت چپ به سد پتانسیل $V(x) = \lambda \delta(x)$ برخورد می‌کند ($\lambda > 0$). تابع

موج ذره در ناحیه $x > 0$ کدام است؟ $\left(k = \sqrt{2mE/\hbar^2} \right)$

$$\frac{\psi k + i(\psi m \lambda / \hbar^2)}{\psi k - i(\psi m \lambda / \hbar^2)} e^{ikx} \quad (1)$$

$$\frac{\psi k - i(\psi m \lambda / \hbar^2)}{\psi k + i(\psi m \lambda / \hbar^2)} e^{ikx} \quad (2)$$

$$\frac{\psi k}{\psi k + i(\psi m \lambda / \hbar^2)} e^{ikx} \quad (3)$$

$$\frac{\psi k}{\psi k - i(\psi m \lambda / \hbar^2)} e^{ikx} \quad (4)$$

۷۸- اگر x مولفه عملگر مکان در راستای محور x و L_z مولفه تکانه زاویه‌ای در راستای محور z باشند حاصل

جابجاگر $[L_z, x^2]$ کدام است؟

$$-2i\hbar xz \quad (1)$$

$$-2i\hbar xy \quad (2)$$

$$2i\hbar xy \quad (3)$$

$$2i\hbar xz \quad (4)$$

۷۹- تابع حالت ذره‌ای در فضای یک بعدی تکانه به صورت $\phi(p) = A \frac{e^{-\beta \text{arctg}(\beta p)}}{1 + \beta^2 p^2}$ است. β ضریب ثابت حقیقی

است. عدم دقت در اندازه‌گیری تکانه $\Delta p = \sqrt{\langle p^2 \rangle - \langle p \rangle^2}$ در این حالت چقدر است؟

$$\frac{2\pi}{\beta} \quad (1)$$

$$\frac{\pi}{2\beta} \quad (2)$$

$$\frac{\pi}{2\sqrt{2}\beta} \quad (3)$$

$$\frac{\sqrt{2}\pi}{2\beta} \quad (4)$$

۸۰- ذره‌ای به جرم m تحت تاثیر یک پتانسیل کروی مستقل از زمان تحول می‌یابد. اگر بخش شعاعی تابع موج ویژه هامیلتونی به شکل $R_{\ell}(r) = A r \exp(-\alpha r^2)$ باشد، تابع انرژی پتانسیل ذره تا حد یک ثابت کدام است؟ (α ضریب ثابت مثبت و A ضریب بهنجارش است.)

$$(1) \quad \frac{\hbar^2 \alpha^2 r^2}{m} - \frac{\hbar^2 (\ell - 2)(\ell + 2)}{2mr^2}$$

$$(2) \quad \frac{\hbar^2 \alpha^2 r^2}{m} - \frac{\hbar^2 (\ell - 2)(\ell + 2)}{2mr^2}$$

$$(3) \quad \frac{\hbar^2 \alpha^2 r^2}{m} - \frac{\hbar^2 (\ell - 1)(\ell + 2)}{2mr^2}$$

$$(4) \quad \frac{\hbar^2 \alpha^2 r^2}{m} - \frac{\hbar^2 (\ell - 1)(\ell + 2)}{2mr^2}$$

۸۱- تابع موج یک ذره آزاد به جرم m در یک بعد در لحظه $t = 0$ به شکل $\psi(x, 0) = N e^{-\alpha(x+x_0)^2}$ است که x_0 و α ثابت‌های حقیقی و N ضریب بهنجارش است. تابع موج ذره در لحظه دلخواه $t > 0$ کدام است؟

$$(1) \quad \psi(x, t) = \frac{N}{\sqrt{1 + \hbar t / m}} \exp\left(-\alpha(x + x_0)^2 / (1 + \hbar t / m)\right)$$

$$(2) \quad \psi(x, t) = \frac{N}{\sqrt{1 + i\hbar t / m}} \exp\left(-\alpha(x + x_0)^2 / (1 + i\hbar t / m)\right)$$

$$(3) \quad \psi(x, t) = \frac{N}{\sqrt{1 - \hbar t / m}} \exp\left(-\alpha(x + x_0)^2 / (1 - \hbar t / m)\right)$$

$$(4) \quad \psi(x, t) = \frac{N}{\sqrt{1 - i\hbar t / m}} \exp\left(-\alpha(x + x_0)^2 / (1 - i\hbar t / m)\right)$$

۸۲- بردار حالت یک ذره اسپین $\frac{1}{2}$ برابر $\frac{1}{\sqrt{2}} \begin{pmatrix} 1 \\ i \end{pmatrix}$ است. اگر در این حالت عملگر $S_x \sin \phi - S_y \cos \phi$ اندازه‌گیری

شود، با چه احتمالی نتیجه آزمایش $\frac{\hbar}{4}$ خواهد بود؟



$$(1) \quad \cos^2 \frac{\phi}{2}$$

$$(2) \quad \sin^2 \frac{\phi}{2}$$

$$(3) \quad \frac{1}{2} \sin^2 \phi$$

$$(4) \quad \frac{1}{2} \cos^2 \phi$$

۸۳- هامیلتونی یک ذره با اسپین \vec{S} در میدان مغناطیسی خارجی \vec{B} به شکل $H = \gamma \vec{S} \cdot \vec{B}$ است که ضریب γ ثابتی حقیقی است. در تصویر هایزنبرگ، تغییرات زمانی عملگر $\vec{S}(t)$ کدام است؟

(۱) $\gamma |\vec{S}| \vec{B}$

(۲) $\gamma |\vec{B}| \dot{\vec{S}}$

(۳) $\gamma (\dot{\vec{S}} \times \vec{B})$

(۴) $\gamma (\vec{B} \times \dot{\vec{S}})$

۸۴- دو ذره با اسپین $\frac{1}{2}$ در نظر بگیرید که عملگر اسپین ذره اول $\vec{S}_1 = \frac{\hbar}{2} \vec{\sigma}_1$ و عملگر اسپین ذره دوم $\vec{S}_2 = \frac{\hbar}{2} \vec{\sigma}_2$ است. فرض شود که اسپین کل دو ذره برابر $S = 0$ باشد (یعنی مجموعه در حالت تکین $|\chi_{\text{singlet}}\rangle$ باشد). اثر عملگر $A = \gamma (\vec{S}_1 \cdot \hat{e})(\vec{S}_2 \cdot \hat{e}) - (\vec{S}_1 \cdot \vec{S}_2)$ که در آن \hat{e} بردار یکه در امتداد خط واصل میان این دو ذره است بر حالت $|\chi_{\text{singlet}}\rangle$ چیست؟

(۱) $A |\chi_{\text{singlet}}\rangle = \frac{\hbar^2}{2} |\chi_{\text{singlet}}\rangle$

(۲) $A |\chi_{\text{singlet}}\rangle = 0$

(۳) $A |\chi_{\text{singlet}}\rangle = -\frac{\hbar^2}{2} |\chi_{\text{singlet}}\rangle$

(۴) $A |\chi_{\text{singlet}}\rangle = \hbar^2 |\chi_{\text{singlet}}\rangle$

۸۵- اگر $\{a_i\}$ ها ویژه بردارهای بهنجار مشاهده پذیر A با ویژه مقدار a_i باشند، کدام عبارت در مورد عملگرهای تصویر $P_i = |a_i\rangle\langle a_i|$ نادرست است؟ ($|\psi\rangle$ بردار حالتی دلخواه و I عملگر واحد است).

(۱) $\sum_i P_i |\psi\rangle = |\psi\rangle$

(۲) $P_i^\dagger = P_i$

(۳) $P_i^2 = P_i$

(۴) $P_i P_i^\dagger = 1$

۸۶- اثر عملگر A روی توابع انتگرال پذیر مجذوری به شکل $\Lambda \psi(x) = \int_{-\infty}^x dx' (x' \psi(x'))$ تعریف شده است. کدام تابع، ویژه تابع عملگر A با ویژه مقدار λ است؟

(۱) e^{x^2}

(۲) $e^{\frac{x}{\lambda}}$

(۳) $\cos(\lambda x)$

(۴) $\sinh(\lambda x^2)$

۸۷ الکترونی با بار الکتریکی $q = -e$ در یک میدان مغناطیسی ثابت $\vec{B} = B_0 \hat{k}$ قرار دارد. با انتخاب پتانسیل

برداری $\vec{A} = \frac{1}{c} \vec{B} \times \vec{r}$ و چشم‌پوشی از ممان مغناطیسی مربوط به اسپین الکترون، هامیلتونی سیستم کدام است؟

$$\left(\omega_L = \frac{e B_0}{2 m_e c} \right)$$

$$H = \frac{\vec{p}^2}{2 m_e} + \frac{1}{2} m_e \omega_L^2 (x^2 + y^2) - \omega_L L_z \quad (1)$$

$$H = \frac{\vec{P}^2}{2 m_e} + \frac{1}{2} m_e \omega_L^2 (x^2 + y^2) - \frac{1}{2} \omega_L L_z \quad (2)$$

$$H = \frac{\vec{P}^2}{2 m_e} + \frac{1}{2} m_e \omega_L^2 (x^2 + y^2) + \omega_L L_z \quad (3)$$

$$H = \frac{\vec{p}^2}{2 m_e} + \frac{1}{2} m_e \omega_L^2 (x^2 + y^2) + \frac{1}{2} \omega_L L_z \quad (4)$$

۸۸ - کدام عبارت در مورد کاربرد اصل وردش ریتمس برای سیستم‌های کوانتومی درست است؟

- (۱) حد بالایی برای انرژی حالت پایه هر سیستم کوانتومی می‌توان به دست آورد.
- (۲) حد پایینی برای انرژی حالت پایه هر سیستم کوانتومی می‌توان به دست آورد.
- (۳) حد بالایی برای انرژی حالت‌های برانگیخته هر سیستم کوانتومی می‌توان به دست آورد.
- (۴) حد پایینی برای انرژی حالت‌های برانگیخته هر سیستم کوانتومی می‌توان به دست آورد.

۸۹ تابع حالت الکترونی در اتم هیدروژن به شکل زیر است:

$$\frac{1}{\sqrt{5}} \left[2\psi_{100}(\vec{r}) + 3\psi_{210}(\vec{r}) - \sqrt{2}\psi_{21(-1)}(\vec{r}) + \psi_{221}(\vec{r}) - 3\psi_{220}(\vec{r}) \right]$$

که ψ_{nlm} ها ویژه توابع بهنجار انرژی اتم هیدروژن هستند. مقدار چشم‌داشتی عملگر L_x در این حالت چقدر است؟

$$\frac{3\hbar}{25} (-2 + \sqrt{6}) \quad (1)$$

$$-\frac{3\hbar}{25} (2 + \sqrt{6}) \quad (2)$$

$$-\frac{3\hbar}{50} (4 - \sqrt{6} + 3\sqrt{2}) \quad (3)$$

$$\frac{3\hbar}{50} (4 + \sqrt{6} - 6\sqrt{2}) \quad (4)$$

moshaveranetahsili.ir



Moshaveranetahsili.ir

۹۰- ذره‌ای به جرم m مقید به حرکت درون یک جعبه دو بعدی مربعی شکل به ضلع a است. مختصات راس‌های این مربع در صفحه xy عبارتند از $(0,0)$ ، $(0,a)$ ، $(a,0)$ و (a,a) . اگر ذره تحت تاثیر انرژی پتانسیل اختلالی به

شکل $V(x,y) = a^2 V_0 \delta(x - \frac{a}{4}) \delta(y - \frac{a}{4})$ قرار گیرد، انرژی حالت پایه آن کدام است؟

(۱) $\frac{\hbar^2}{ma^2} + 2V_0$

(۲) $\frac{\hbar^2}{2ma^2} + 2V_0$

(۳) $\frac{\hbar^2}{ma^2} + \frac{V_0}{2}$

(۴) $\frac{\hbar^2}{2ma^2} + \frac{V_0}{2}$

Moshaveranetahsili.ir

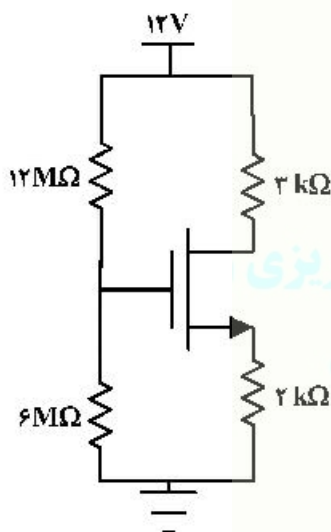
الکترونیک:



مشاوران
تحصیلی

۹۱- مقدار V_{DS} بر حسب ولت کدام است؟

$V_{TH} = 1V$ $\mu nCox = 0.25 \frac{mA}{V^2}$ $(W/L = 8 \mu m)$



مشاوران تحصیلی

تخصصی ترین مرکز مشاوره، برنامه ریزی

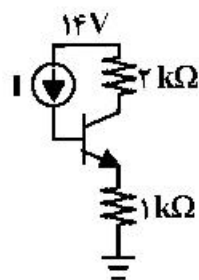
نظمین قبولی کارشناسی ارشد

moshaveranetahsili.ir

- ۴ (۱)
- ۵ (۲)
- ۷ (۳)
- ۹ (۴)

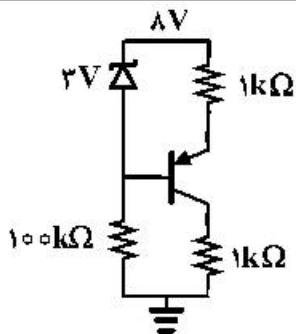
۹۲- کمینه مقدار جریان I که باعث اشباع ترانزیستور می شود بر حسب μA برابر با کدام است؟

$(\beta = 100, V_{BE} = 0.7V, V_{CESAT} = 0.2V)$



Moshaveranetahsili.ir

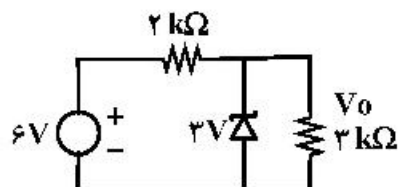
- ۴۶ (۱)
- ۲۳ (۲)
- ۳۸ (۳)
- ۶۹ (۴)



۹۳- جریان دیود زینر برحسب μA برابر با کدام است؟

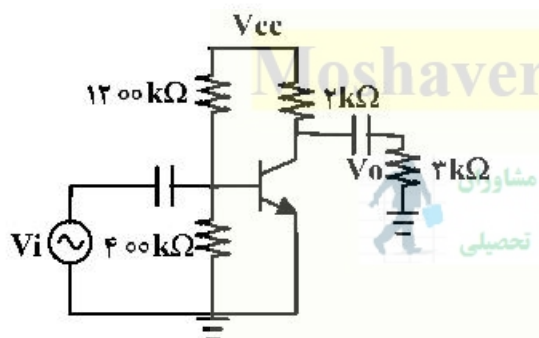
$(V_{BE} = 0.7V \quad \beta = 99)$

- (۱) 23μ
- (۲) 27μ
- (۳) 50μ
- (۴) 46μ



۹۴- جریان دیود زینر برحسب mA برابر با کدام است؟

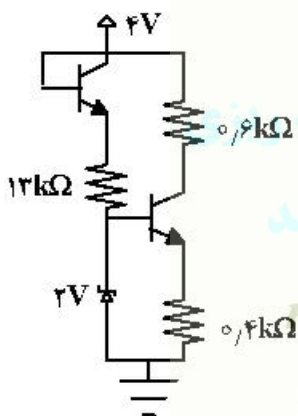
- (۱) 0.5
- (۲) 0.25
- (۳) 1
- (۴) 0.75



۹۵- مقدار بهره ولتاژ مدار نشان داده شده چقدر است؟

$(r_o = \infty \quad r_{\pi} = 2k\Omega \quad g_m = 20 \frac{mA}{V})$

- (۱) -24
- (۲) -60
- (۳) -40
- (۴) -34



۹۶- جریان دیود زینر برحسب μA کدام است؟

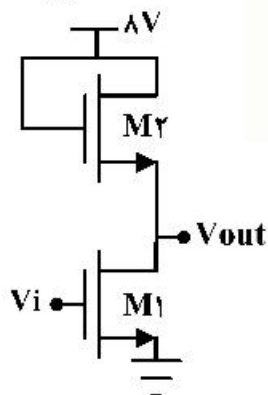
$(\beta = 100 \quad V_{BE} = 0.7V)$

- (۱) 57.5
- (۲) 24.5
- (۳) 22.5
- (۴) 67.5



۹۷- ولتاژ خروجی تقویت کننده V_{out} برابر با کدام است؟

$(V_{TH} = 1V \quad \mu nC_{ox} = 100 \frac{\mu A}{V^2}, \quad V_i = 2V \quad (W/L)_r = 4 \quad (W/L)_1 = 26)$



- (۱) 7
- (۲) 4
- (۳) 2
- (۴) 1

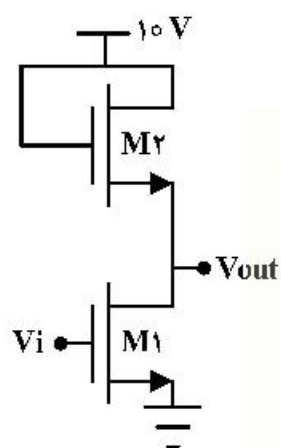
Moshaveranetahsili.ir

۹۸- اگر V_D برابر با $0.7V$ ولت باشد. مقدار جریان I برحسب mA برابر با کدام است؟ $8V$

۱۲ (۱)
۰ (۲)
۳ (۳)
۴/۴ (۴)

۹۹- بهره تقویت کننده تقریباً برابر با کدام است؟

$V_{TH} = 1 \mu nCox = 1 \frac{mA}{V^2}$, $(W/L)_2 = 2$ $(W/L)_1 = 8$



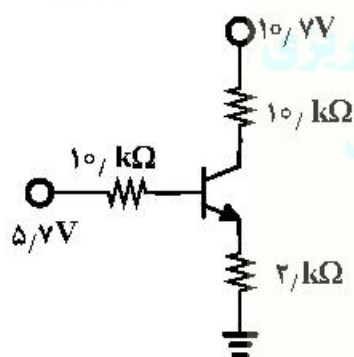
Moshaveranetahsili.ir



- ۲ (۱)
۱/۲۵ (۲)
-۳ (۳)
-۲/۲۵ (۴)

۱۰۰- به شرط آنکه ترانزیستور اشباع باشد مقدار I_B برحسب μA برابر با کدام است؟

$(V_{CESAT} = 0.2V \quad V_{BE} = 0.7V)$



تخصصی ترین مرکز مشاوره، برنامه ریزی

نظمین قبولی کارشناسی ارشد

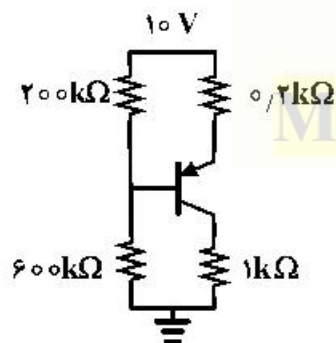
moshaveranetahsili.ir



- ۲۸۰ (۱)
۱۳۵ (۲)
۲۲۰ (۳)
۲۴۰ (۴)

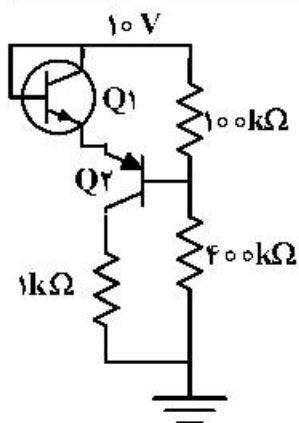
۱۰۱- مقدار I_B در مدار نشان داده شده برحسب μA برابر با کدام است؟

$(\beta = 59 \quad V_{BE} = 0.7V)$



Moshaveranetahsili.ir

- ۱۴ μ (۱)
۱۱ μ (۲)
۱۵ μ (۳)
۱۸ μ (۴)



۱۰۲- جریان بیس ترانزیستور Q_2 بر حسب μA برابر با کدام است؟

$(V_{BE} = 0.7V)$

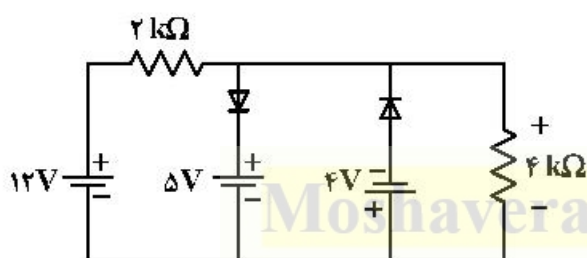
۱) ۱۲

۲) ۱۰

۳) ۵/۵

۴) ۷/۵

۱۰۳- ولتاژ دو سر مقاومت $4K$ برابر با چند ولت است؟ (از افت دیودها صرف نظر شود).



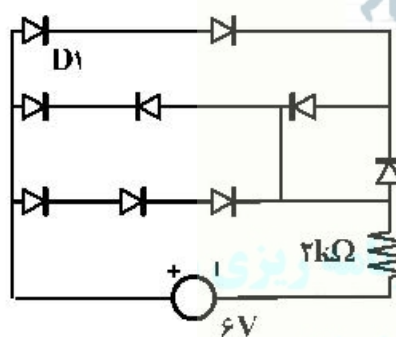
۱) ۱۶

۲) ۷

۳) ۵

۴) ۳

۱۰۴- بدون صرف نظر کردن از افت دیودها جریان دیود D_1 برابر با چند میلی آمپر است؟ $(V_D = 0.7V)$



۱) ۰

۲) ۰/۸

۳) ۱/۹۵

۴) ۰/۹۷۵

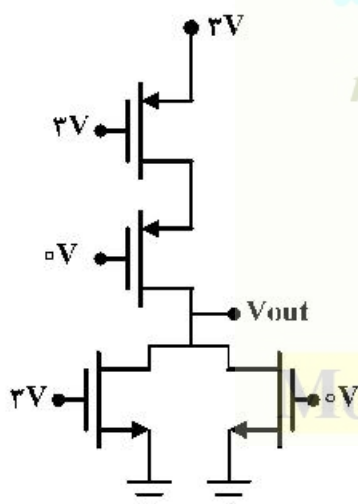
۱۰۵- خروجی مدار برابر چند ولت است؟

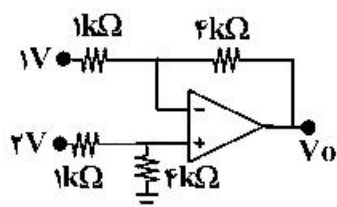
۱) ۰

۲) ۳

۳) ۱/۵

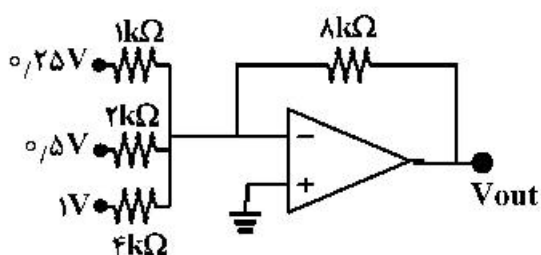
۴) ۲





۱۰۶- ولتاژ خروجی مدار چند ولت است؟

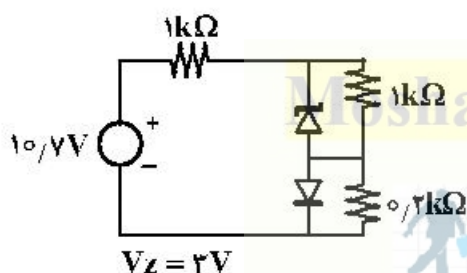
- ۳ (۱)
- ۲ (۲)
- ۴ (۳)
- ۶ (۴)



۱۰۷- ولتاژ خروجی برابر با کدام است؟

- ۴ (۱)
- ۶ (۲)
- ۸ (۳)
- ۳ (۴)

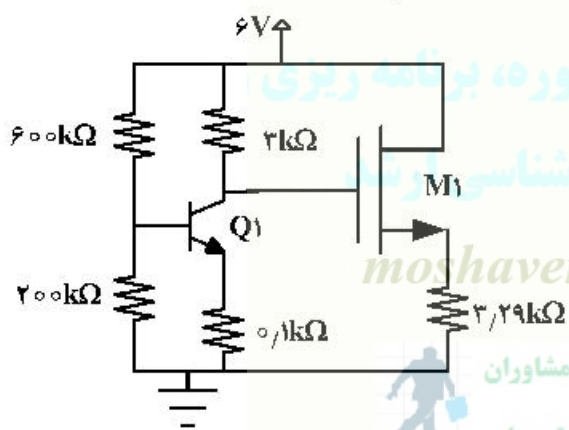
۱۰۸- جریان دیود در مدار مقابل برابر با کدام است؟ ($V_D = 0.7V$)



- ۱ mA (۱)
- ۰.۵ mA (۲)
- ۰.۲۵ mA (۳)
- ۲ mA (۴)

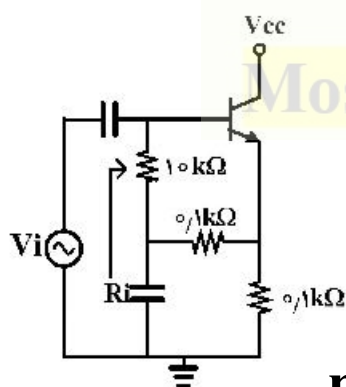
۱۰۹- مقدار $(W/L)_{M1}$ به تقریب برابر با کدام است؟

($V_{TH} = 0.5V$, $\mu_n C_{ox} = 500 \frac{\mu A}{V^2}$, $\beta = 99$, $V_{BE} = 0.7V$, $I_{D_{M1}} = 1mA$)



- ۴ (۱)
- ۱۲ (۲)
- ۸ (۳)
- ۶ (۴)

۱۱۰- مقاومت ورودی R_i برابر با چند کیلو اهم است؟



($\beta = 99$, $r_o = 100k\Omega$, $r_{\pi} = 5k\Omega$)

- ۱۵ (۱)
- ۱۰ (۲)
- ۵ (۳)
- ۸ (۴)

اپتیک:

۱۱۱- زاویه رأس منشوری 60° است. این منشور از ماده‌ای با ضریب شکست $1/8$ ساخته شده است. کمینه زاویه

انحراف این منشور چند درجه است؟ ($\sin 64,3^\circ = 0,9$)

- (۱) $17/1$
 (۲) $34/2$
 (۳) $68/4$
 (۴) $4/2$

۱۱۲- لامپی با شدت 100cd بالای میز گردی به شعاع 3m در ارتفاع 2m از وسط میز آویزان است. اگر این لامپ با لامپ

دومی با شدت 25cd جایگزین شود و ارتفاع آن از وسط میز چنان تغییر داده می‌شود تا روشنایی در مرکز میز نسبت

به حالت قبل تغییر نکند. در این شرایط روشنایی در لبه میز نسبت به حالت اول تقریباً چند برابر می‌شود؟

- (۱) $0,44$
 (۲) $0,58$
 (۳) $0,19$
 (۴) $0,22$

Moshaveranetahsili.ir

۱۱۳- اگر عدسی چشم انسان ابتدا روی ستارگان دوردست و سپس بر روی یک کتاب در فاصله طبیعی متمرکز شود،

توان عدسی چشم چند دیوپتری تغییر می‌کند؟

- (۱) ۴
 (۲) ۳
 (۳) ۲
 (۴) $1/5$

۱۱۴- یک عدسی نازک با ضریب شکست $1/5$ در مایعی با ضریب شکست $1/4$ دارای فاصله کانونی $+70\text{cm}$ است.

فاصله کانونی این عدسی در مایعی با ضریب شکست $1/6$ بر حسب سانتی‌متر کدام است؟

- (۱) -35
 (۲) $+35$
 (۳) $+40$
 (۴) -40

۱۱۵- توان پاشندگی یک منشور با زاویه رأس کوچک که از شیشه فلینت ساخته شده چقدر است؟

(ضریب شکست فلینت برای خطوط C، D و F به ترتیب $n_C = 1,571$ ، $n_D = 1,575$ و $n_F = 1,585$ است.)

- (۱) ۴۱
 (۲) $5/5$
 (۳) $0,024$
 (۴) $0,017$

Moshaveranetahsili.ir

۱۱۶- شعاع‌های یک عدسی نازک دو طرف محدب (دو کوژ) 60cm و 15cm است. اگر نور از سمت شعاع بزرگ وارد عدسی شود ضریب شکل (shape factor) آن کدام است؟

- (۱) $+1/67$
- (۲) $-1/67$
- (۳) $+0/60$
- (۴) $-0/60$

۱۱۷- کدام عبارت در مورد ابیراهی کوما (coma) در عدسی‌ها نادرست است؟

- (۱) این ابیراهی را برای یک تک عدسی نمی‌توان به طور کامل حذف کرد.
- (۲) این ابیراهی از نوع تک رنگ و مرتبه سوم است.
- (۳) این ابیراهی ناشی از متفاوت بودن بزرگ‌نمایی بخش‌های مختلف عدسی است.
- (۴) این ابیراهی مربوط به نقاط جسم واقع در خارج از محور عدسی است.

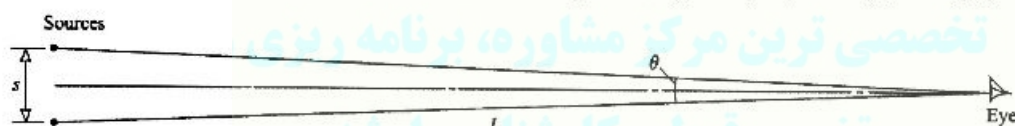
۱۱۸- در یک میکروسکوپ فاصله کانونی چشمی 12mm و فاصله کانونی شیئی 3mm است. اگر شیئی تصویرش را در 18cm پس از صفحه کانونی ثانوی خود تشکیل دهد. بزرگ‌نمایی کل میکروسکوپ چند است؟

Moshaveranetahsili.ir

- (۱) -725
- (۲) $+725$
- (۳) -1250
- (۴) $+1250$



۱۱۹- دو چشمه نوری نقطه‌ای با طول موج 640nm مطابق شکل زیر در فاصله $s = 50\text{cm}$ از هم قرار دارند. این دو چشمه توسط یک چشم در فاصله L از این دو مشاهده می‌شود. قطر مردمک چشم 4mm است، اگر چشم سالم و کامل باشد تنها عامل محدود کننده قدرت تفکیک دو چشمه، پراش است. در این حد، بیشینه اندازه L چند متر می‌تواند باشد به طوری که دو چشمه از هم متمایز دیده شوند؟



تخصصی ترین مرکز مشاوره، برنامه ریزی، تضمین قبولی کارشناسی ارشد

- (۱) 2561
- (۲) 3125
- (۳) 256
- (۴) 313

۱۲۰- یک عدسی نازک به قطر 4cm و فاصله کانونی 10cm به عنوان شیشه بزرگ کننده (magnifying glass) استفاده شده است. جسم تختی به قطر 12cm در فاصله 6cm از عدسی قرار دارد. چشم یک انسان برای آن که بتواند سطح کامل جسم را مشاهده کند در چند سانتیمتری از عدسی باید قرار گیرد؟



Moshaveranetahsili.ir

- (۱) $1/30$
- (۲) $4/29$
- (۳) $3/75$
- (۴) $2/31$

۱۲۱- طول یک بازوی تداخل‌سنج مایکلسون کمی افزایش می‌یابد و 15° فرانس تاریک در میدان دید ناپدید می‌شوند. اگر طول موج نور استفاده شده 600nm باشد، آینه موجود در بازوی ذکر شده چقدر جابجا شده است؟

(۱) $90\mu\text{m}$

(۲) $45\mu\text{m}$

(۳) 4.5mm

(۴) 0.9mm

۱۲۲- نوری به طور عمودی بر یک توری پراش می‌تابد. این توری دارای 3000 شکاف در سانتی‌متر است. اگر تصویر مرتبه سوم در زاویه 3° نسبت به عمود بر توری تشکیل شود. طول موج نور تابشی چند نانومتر است؟

(۱) $2/8$

(۲) $5/6$

(۳) 278

(۴) 556

۱۲۳- در یک دو شکاف، پهنای هر یک از دو شکاف 0.5mm و فاصله دو شکاف از هم 3cm است. نوری با طول موج 540nm به دو شکاف می‌تابد. طرح پراش فرانهوفر بر روی پرده‌ای به فاصله 80cm پشت دو شکاف مشاهده می‌شود. در درون اولین بیشینه جانبی (بعد از بیشینه مرکزی) چند فرانت قابل دیدن است؟

(۱) 59

(۲) 119

(۳) 29

(۴) 96

۱۲۴- موج تختی به یک روزنه دایره‌ای شکل به قطر $2/8\text{mm}$ می‌تابد. بر روی محور تقارن عمودی روزنه نقطه‌ای با شدت بیشینه در فاصله 250cm از مرکز روزنه تشکیل می‌شود. موج تابشی چه طول موجی دارد؟

(۱) 261nm

(۲) 784nm

(۳) $640\mu\text{m}$

(۴) $78\mu\text{m}$

۱۲۵- یک لیزر نوری همدوس با قطر 2mm شامل طول موج‌های 480nm و 320nm از خود گسیل می‌کند. با فرض آن که نور در فضای آزاد حرکت می‌کند و تنها عامل محدودکننده عملکرد دستگاه، پراش نور باشد، در چه فاصله‌ای از لیزر این دو طول موج به اندازه 8mm از هم جدا می‌شوند؟

(۱) 1000cm

(۲) 100m

(۳) 82cm

(۴) 82m

۱۲۶- موج تختی با طول موج 450 nm با زاویه 30° به سطح یک توری پراش با تعداد 1000 خط در یک میلی‌متر می‌تابد. بیشینه مرتبه پراش قابل مشاهده کدام است؟

- (۱) ۳
- (۲) ۲
- (۳) ۱
- (۴) ۴

۱۲۷- کدام عبارت در مورد بلورهای چند رنگه (dichroic) نادرست است؟

- (۱) تورمالین یکی از بلورهای معدنی معروف است که دارای خاصیت چند رنگه است.
- (۲) هرگاه نور غیر قطبیده به این بلورها بتابد علاوه بر پرتو بازتابی دو پرتو شکستی مشاهده می‌شود.
- (۳) از این بلورها در ساخت پولارویدهای نوع II و K استفاده می‌شود.
- (۴) به طور انتخابی یکی از مولفه‌های میدان الکتریکی نور را جذب می‌کنند.

۱۲۸- کدام عبارت در مورد منشور نیکل نادرست است؟

- (۱) از بلور کلسیت ساخته شده است.
- (۲) ایزاری برای قطبیده کردن نور است.
- (۳) یکی از دو پرتو شکست یافته به درون منشور (پرتو O) توسط بازتاب کلی حذف می‌شود.
- (۴) هرگاه نور سفید به این منشور بتابد در نور خروجی از آن فقط یک طول موج قطبیده وجود دارد.

۱۲۹- محلولی حاوی گلوکز درون لوله‌ای به طول 20 cm ریخته شده است. در عبور نور از درون لوله قطبش نور ورودی 25° می‌چرخد. اگر چرخش ویژه (یا توان چرخش) گلوکز 52° - باشد، غلظت گلوکز درون محلول چند g/lit است؟

- (۱) ۲۴۰
- (۲) ۱۵۴
- (۳) ۲۴/۰
- (۴) ۱۵/۴

۱۳۰- پرتویی از پروتون‌ها با انرژی جنبشی 47 MeV از درون یک شیشه با ضریب شکست $1/8$ عبور می‌کند. زاویه تابش چرنکوف با راستای پرتو پروتونی کدام است؟ (جرم سکون پروتون $940\text{ MeV}/c^2$ است.)

- (۱) 30°

(۲) $\tan^{-1}\left(\frac{\sqrt{5}}{3}\right)$

(۳) $\cos^{-1}\left(\frac{3}{\sqrt{5}}\right)$

(۴) $\sin^{-1}\left(\frac{\sqrt{5}}{3}\right)$



Moshaveranetahsili.ir



مشاوران تحصیلی

تخصصی ترین مرکز مشاوره، برنامه ریزی

تضمین قبولی کارشناسی ارشد

moshaveranetahsili.ir



Moshaveranetahsili.ir

Moshaveranetahsili.ir



مشاوران تحصیلی

تخصصی ترین مرکز مشاوره، برنامه ریزی

تضمین قبولی کارشناسی ارشد

moshaveranetahsili.ir



Moshaveranetahsili.ir